

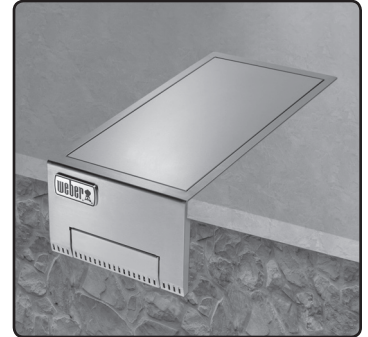
SUMMIT[®]



Built-In NG Side Burner Installation/Owner's Guide

GUÍA DEL PROPIETARIO DE LA BARBACOA DE GAS NATURAL - PG 17
GUIDE DE L'UTILISATEUR DU BARBECUE AU GAZ NATUREL - PG 30

#56070



THIS APPLIANCE MAY BE PURCHASED SEPERATELY FOR YOUR WEBER BUILT-IN BARBECUE GRILL.

**YOU MUST READ THIS OWNER'S GUIDE
BEFORE OPERATING YOUR SIDE BURNER**

⚠ DANGER

If you smell gas:

1. Shut off gas to the appliance.
2. Extinguish any open flames.
3. Open lid.
4. If odor continues, keep away from the appliance and immediately call your gas supplier or your fire department.

Leaking gas may cause a fire or explosion which can cause serious bodily injury or death, or damage to property.

⚠ WARNING:

1. Do not store or use gasoline or other flammable liquids or vapors in the vicinity of this or any other appliance.
2. An LP cylinder not connected for use shall not be stored in the vicinity of this or any other appliance.

⚠ WARNING: Follow all leak-check procedures carefully in this manual prior to operation. Do this even if the appliances were dealer-assembled.

NOTICE TO INSTALLER: These instructions must be left with the owner and the owner should keep them for future use.

**THIS GAS APPLIANCE IS DESIGNED FOR
OUTDOOR USE ONLY.**

⚠ WARNING: Do not try to light this appliance without reading the "Lighting Instructions" section of this manual.



56070 US 04/01/09
NG
US ENGLISH

⚠ DANGER

Failure to follow the Dangers, Warnings and Cautions contained in this Owner's Manual may result in serious bodily injury or death, or in a fire or an explosion causing damage to property.

⚠ WARNINGS

- ⚠ Do not store a spare or disconnected liquid propane cylinder under or near the barbecue and Side Burner.
- ⚠ Improper assembly may be dangerous. Please follow the assembly instructions carefully.
- ⚠ After a period of storage, and/or nonuse, the Weber® gas barbecue and Side Burner should be checked for gas leaks and burner obstructions before use. See instructions in this manual for correct procedures.
- ⚠ Do not operate either the Weber® gas barbecue or Side Burner if there is a gas leak present.
- ⚠ Do not use a flame to check for gas leaks.
- ⚠ Combustible materials should never be within 24 inches (61 cm) of the back or sides of your Weber® gas appliances.
- ⚠ Do not put a cover or anything flammable on, or in the storage area under the appliances.
- ⚠ Your Weber® gas appliances should never be used by children. Accessible parts of the appliances may be very hot. Keep young children away while it is in use.
- ⚠ You should exercise reasonable care when operating your Weber® gas appliances. It will be hot during cooking or cleaning and should never be left unattended, or moved while in operation.
- ⚠ Should the burners go out while in operation, turn all gas valves off. Open the lid and wait five minutes before attempting to relight, using the lighting instructions.
- ⚠ Do not use charcoal or lava rock in your Weber® gas appliances.
- ⚠ Never lean over open appliance or place hands or fingers on the front edge of the cooking area.
- ⚠ Should a grease fire occur, turn off all burners and leave lid closed until fire is out.
- ⚠ Do not enlarge valve orifices or burner ports when cleaning the valves or burners.
- ⚠ The Weber® gas appliance should be thoroughly cleaned on a regular basis.
- ⚠ Liquid propane gas is not natural gas. The conversion or attempted use of natural gas in a liquid propane unit or liquid propane gas in a natural gas unit is dangerous and will void your warranty.
- ⚠ Do not attempt to disconnect any gas fitting while your appliances are in operation.
- ⚠ Use heat-resistant barbecue mitts or gloves when operating appliances.
- ⚠ Keep any electrical supply cord and the fuel supply hose away from any heated surfaces.
- ⚠ Combustion byproducts produced when using this product contain chemicals known to the state of California to cause cancer, birth defects, or other reproductive harm.
- ⚠ Do not use this appliance unless all parts are in place. The unit must be properly assembled according to the assembly instructions.
- ⚠ Proposition 65 Warning: Handling the brass material on this product exposes you to lead, a chemical known to the state of California to cause cancer, birth defects or other reproductive harm.
(Wash hands after handling this product.)

LIQUID PROPANE GAS UNITS ONLY:

- ⚠ Use the pressure regulator and hose assembly that is supplied with your Weber® gas barbecue.
- ⚠ Do not attempt to disconnect the gas regulator and hose assembly or any gas fitting while your appliances are in operation.
- ⚠ A dented or rusty liquid propane cylinder may be hazardous and should be checked by your liquid propane supplier. Do not use a liquid propane cylinder with a damaged valve.
- ⚠ Although your liquid propane cylinder may appear to be empty, gas may still be present, and the cylinder should be transported and stored accordingly.
- ⚠ If you see, smell or hear the hiss of escaping gas from the liquid propane cylinder:
 1. Move away from liquid propane cylinder.
 2. Do not attempt to correct the problem yourself.
 3. Call your fire department.

WARRANTY

Weber-Stephen Products Co. (Weber) hereby warrants to the ORIGINAL PURCHASER of this Weber® gas appliance that it will be free of defects in material and workmanship from the date of purchase as follows:

Stainless Steel Lid,	10 years
All Remaining Parts,	5 years

When assembled and operated in accordance with the printed instructions accompanying it. Weber may require reasonable proof of your date of purchase. THEREFORE, YOU SHOULD RETAIN YOUR SALES SLIP OR INVOICE.

This Limited Warranty shall be limited to the repair or replacement of parts that prove defective under normal use and service and which on examination shall indicate, to Weber's satisfaction, they are defective. Before returning any parts, contact the Customer Service Representative in your area using the contact information on our website. If Weber confirms the defect and approves the claim, Weber will elect to replace such parts without charge. If you are required to return defective parts, transportation charges must be prepaid. Weber will return parts to the purchaser, freight or postage prepaid.

This Limited Warranty does not cover any failures or operating difficulties due to accident, abuse, misuse, alteration, misapplication, vandalism, improper installation or improper maintenance or service, or failure to perform normal and routine maintenance, including but not limited to damage caused by insects within the burner tubes, as set out in this owner's manual.

Deterioration or damage due to severe weather conditions such as hail, hurricanes, earthquakes or tornadoes, discoloration due to exposure to chemicals either directly or in the atmosphere, is not covered by this Limited Warranty.

GARANTÍA

Weber-Stephen Products Co. (Weber) por este medio le garantiza al COMPRADOR ORIGINAL de esta barbacoa de gas Weber® que la misma estará libre defectos en cuanto a materiales y fabricación a partir de la fecha de compra según lo siguiente:

Tapa de acero inoxidable,	10 años
Todas las demás partes	5 años

Cuando se ensambla y opera de acuerdo a las instrucciones impresas que lo acompañan. Weber requiere requerir prueba razonable de la fecha de compra. POR LO TANTO, DEBERÁ GUARDAR SU RECIBO O FACTURA DE VENTA.

Esta garantía limitada está limitada a la reparación o reemplazo de piezas que se resultasen defectuosas bajo uso y servicio normal y las cuales al examinarse indiquen, a la plena satisfacción de Weber, que son defectuosas. Antes de devolver cualquier parte, contacte al Representante de Atención al Cliente en su área geográfica, cuya información de contacto la encontrará en nuestro sitio web. Si Weber confirma el defecto y aprueba el reclamo, ésta elegirá reparar o reemplazar tal pieza sin cargo alguno. Si usted tiene que retornarnos las partes defectuosas, los gastos de transporte deben ser prepagados. Weber retornará las partes al comprador con transporte o franqueo prepagado.

Esta Garantía Limitada no cubre ninguna falla o problema de operación a causa de accidentes, abuso, mal uso, alteración, uso en aplicaciones indebidas, vandalismo, instalación inapropiada o mantenimiento o servicio inapropiados, o por no llevar a cabo el mantenimiento normal y rutinario, entre los que se incluyen, pero sin limitación, los daños causados por insectos dentro de los tubos quemadores, según se detalla en este manual del propietario.

Esta Garantía Limitada no cubre el deterioro o daños a causa de condiciones de tiempo inclementes tales como granizo, huracanes, terremotos o tornados ni tampoco la decoloración por exposición a sustancias químicas bien sea por contacto directo o por las mismas contenidas en la atmósfera.

GARANTIE

Weber-Stephen Products Co. (Weber) garantit par le présent document à l'ACHETEUR D'ORIGINE de ce grill à gaz Weber® que celui-ci ne comportera aucun défaut de pièce ni de main d'oeuvre à compter de la date d'achat comme suit :

Couvercle en acier inoxydable,	10 ans
Toutes les autres pièces,	5 ans

Lorsque celui-ci est monté et utilisé conformément aux instructions imprimées qui l'accompagnent. Weber peut exiger une preuve raisonnable de votre date d'achat. PAR CONSÉQUENT, VOUS DEVRIEZ CONSERVER VOTRE TICKET DE CAISSE OU VOTRE FACTURE.

La présente Garantie limitée couvre uniquement la réparation ou le remplacement des pièces qui se révèlent défectueuses dans des conditions d'utilisation et d'entretien normales et dont l'examen indique, à la satisfaction de Weber, qu'elles sont défectueuses. Avant de nous retourner toute pièce, veuillez entrer en contact avec le Représentant du service clientèle de votre région grâce aux coordonnées à votre disposition sur notre site Internet. Si Weber confirme le défaut et approuve la demande, Weber décidera de remplacer ces pièces gratuitement. Si vous devez retourner les pièces défectueuses, les frais de transport doivent être prépayés. Weber renverra les pièces à l'acheteur, frais de transport ou de poste prépayés.

La présente Garantie limitée ne couvre pas toute panne ou difficulté d'utilisation résultant d'un accident, d'une utilisation abusive, d'une mauvaise utilisation, d'une altération, d'une mauvaise application, d'un acte de vandalisme, d'une utilisation, d'une maintenance ou de réparations incorrectes, ou de l'absence de maintenance normale et régulière, y compris mais pas uniquement les détériorations provoquées par des insectes à l'intérieur des tubes du brûleur, comme indiqué dans le présent mode d'emploi.

There are no other express warranties except as set forth herein and any applicable implied warranties of merchantability and fitness are limited in duration to the period of coverage of this express written Limited Warranty. Some regions do not allow limitation on how long an implied warranty lasts, so this limitation may not apply to you.

Weber is not liable for any special, indirect or consequential damages. Some regions do not allow the exclusion or limitation of incidental or consequential damages, so this limitation or exclusion may not apply to you.

Weber does not authorize any person or company to assume for it any other obligation or liability in connection with the sale, installation, use, removal, return, or replacement of its equipment; and no such representations are binding on Weber.

This Warranty applies only to products sold at retail.

WEBER-STEPHEN PRODUCTS CO.

Customer Service Center
1890 Roselle Road, Suite 308
Schaumburg, IL 60195
USA

For replacement parts call:

1-800-446-1071
www.weber.com®

No existe ningunas otras garantías expresas que no sean las acá indicadas y cualesquier garantías implícitas de comerciabilidad y aptitud de uso están limitadas en duración al tiempo de cobertura de esta expresa Garantía Limitada por escrito. Algunas regiones no permiten limitación alguna en el tiempo que una garantía implícita pueda durar, por lo que esta limitación pudiera no aplicarle a usted.

Weber no se hace responsable de ningún daño especial, indirecto o emergente. Algunas regiones no permiten la exclusión o limitación de daños incidentales o emergentes, por lo que esta limitación o exclusión pudieran no aplicarle a usted.

Weber no autoriza a persona o empresa alguna a asumir en su nombre ninguna obligación o responsabilidad en relación con la venta, instalación, uso, retiro, devolución o reemplazo de sus equipos, y ninguna tal representación será vinculante para Weber.

Esta Garantía aplica solo a aquellos productos vendidos al por menor.

WEBER-STEPHEN PRODUCTS CO.

Customer Service Center
1890 Roselle Road, Suite 308
Schaumburg, IL 60195
USA

Para partes de repuesto llame a:

1-800-446-1071
www.weber.com®

Para compras hechas en México

WEBER-STEPHEN PRODUCTS S.A.
de C.V.
Marcella No. 338,
Colonia Americana
44160 México, C.P.
México

Para partes de repuesto llame a:

(52) (33) 3615-0736
www.weber.com®

Toute détérioration provoquée par des conditions météorologiques extrêmes telles que de la grêle, des ouragans, des séismes ou des tornades, toute décoloration résultant d'une exposition à des agents chimiques directement ou dans l'atmosphère, n'est pas couverte dans le cadre de la présente Garantie limitée.

Il n'y a aucune autre garantie expresse sauf celle présentée ici et toute garantie de commercialisation et d'adaptation à un usage particulier induite est limitée dans le temps à la période de couverture de la présente Garantie limitée écrite expresse. Certaines régions ne permettent pas la limitation de la durée d'une garantie induite, il est donc possible que cette limitation ne s'applique pas à vous.

Weber n'est responsable d'aucun dommage particulier, indirect ou induit. Certaines régions n'autorisent pas l'exclusion ou la limitation des dommages secondaires, il est donc possible que cette limitation ou exclusion ne s'applique pas à vous.

Weber n'autorise aucune personne ou société à assumer en son nom toute autre obligation ou responsabilité en relation avec la vente, l'installation, l'utilisation, le retrait, le retour, ou le remplacement de ses équipements ; et aucune représentation de ce type ne lie Weber.

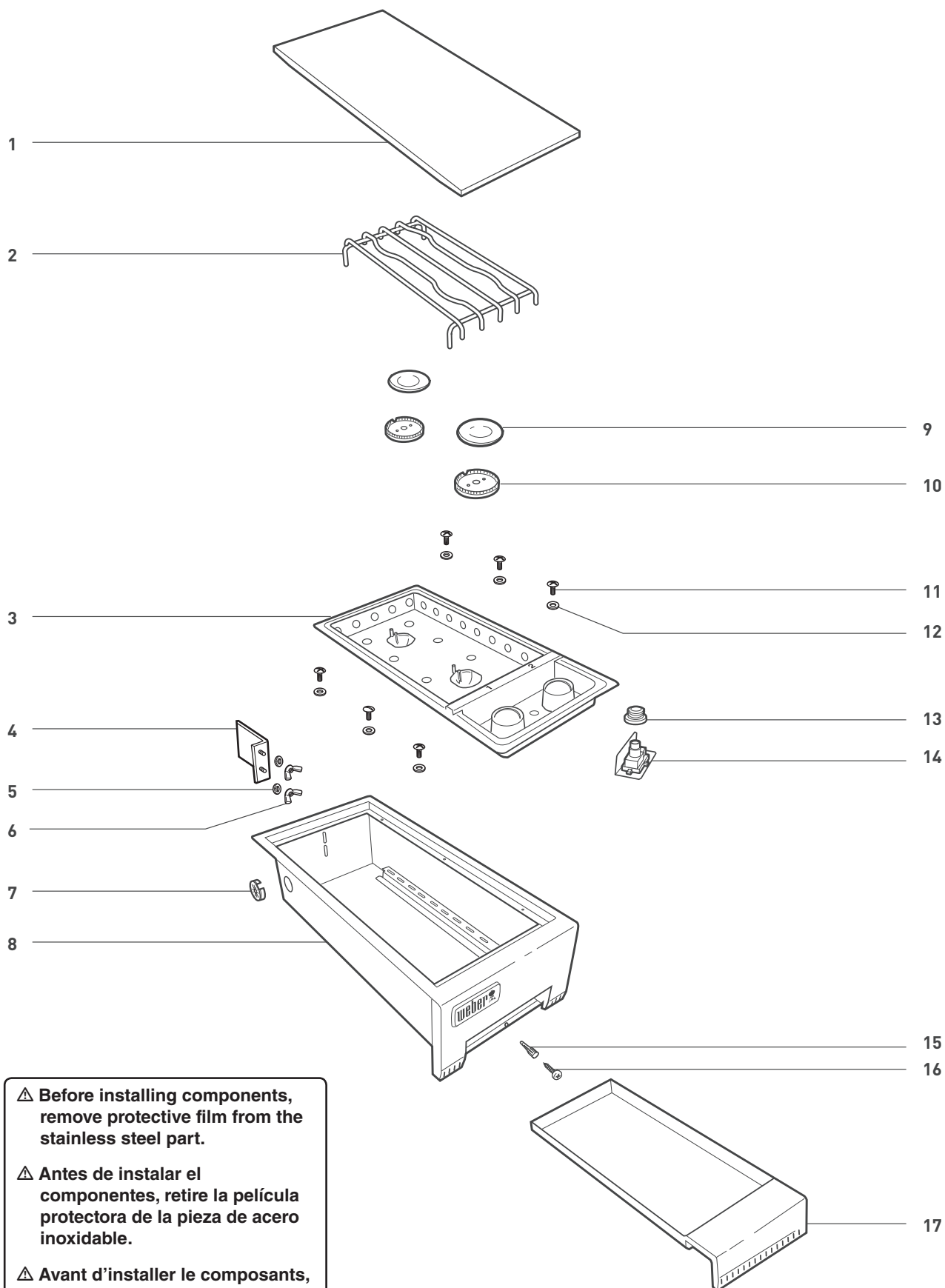
La présente garantie s'applique uniquement aux produits vendus au détail.

WEBER-STEPHEN PRODUCTS CO.

Service clientèle
1890 Roselle Road, Suite 308
Schaumburg, IL 60195
USA

Pour des pièces de rechange, appelez le :

1-800-446-1071
www.weber.com®



⚠ Before installing components, remove protective film from the stainless steel part.

⚠ Antes de instalar el componentes, retire la película protectora de la pieza de acero inoxidable.

⚠ Avant d'installer le composants, retirez la pellicule protectrice de la pièce en acier inoxydable.

- | | | |
|---|---|---|
| 1. Lid
Tapa
Couvercle | 7. Bushing
Pasamuros
Douille | 13. Igniter Button
Botón encendedor
Bouton de l'allumeur |
| 2. Grate
Parrilla
Grille | 8. Side Burner Box
Caja del quemador lateral
Boîtier du brûleur latéral | 14. Igniter Module
Módulo encendedor
Module de l'allumeur |
| 3. Side Burner
Quemador lateral
Brûleur latéral | 9. Side Burner Cap
Tapa del quemador lateral
Cache du brûleur latéral | 15. Screw Anchor
Ancla de tornillo
Douille à expansion |
| 4. Mounting Bracket
Ménsula de montaje
Support de montage | 10. Side Burner Head
Hornilla del quemador lateral
Tête du brûleur latéral | 16. Non Corrosive Screw
Tornillo no corrosible
Vis non corrosive |
| 5. Locking Washer
Arandela de seguridad
Rondelle de verrouillage | 11. Screw
Tornillo
Vis | 17. Grease Tray
Bandeja de grasa
Plateau égouttoir |
| 6. Wing Nut
Tuerca de mariposa
Ecrou à oreille | 12. Washer
Arandela
Rondelle | |

HARDWARE LIST, LISTA DE LOS HERRAJES, LISTE DU MATERIEL

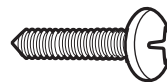
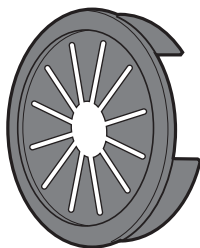
6 -



2 -



1 -



The natural gas supply is easy to use and gives you more cooking control than charcoal fuel.

- These instructions will give you the minimum requirements for assembling your Weber® Built-In Side Burner. Please read the instructions carefully before using your Weber® Built-In Side Burner. Improper assembly can be dangerous.
- Not for use by children.
- If there are local codes that apply to portable gas grills, you will have to conform to them. If there are no local codes, you must conform to the latest edition of the National Fuel Gas Code: ANSI Z 223.1/NFPA54.
- This Weber® Built-In Side Burner is designed for natural (piped in city) gas only. Do not use liquid propane (LP) bottled gas. The valves, orifices and hose are for natural gas only.
- Do not use with charcoal fuel.
- Check that the area under the control panel and the bottom tray are free from debris that might obstruct the flow of combustion or ventilation air.

STORAGE

- ⚠ **The gas must be turned OFF at the natural gas supply when the Weber® Built-In Side Burner is not in use.**
- ⚠ **Check that the areas under the control panel and the slide out bottom tray are free from debris that might obstruct the flow of combustion or ventilation air.**

OPERATING

- ⚠ **WARNING: Only use this barbecue outdoors in a well-ventilated area. Do not use in a garage, building, breezeway or any other enclosed area.**
- ⚠ **WARNING: Your Weber® Built-In Side Burner shall not be used under an unprotected combustible roof or overhang.**
- ⚠ **WARNING: Your Weber® Built-In Side Burner is not intended to be installed in or on recreational vehicles and/or boats.**
- ⚠ **WARNING: Do not use the barbecue within 24 (60.96cm) inches of combustible materials, top, bottom, back or sides of the grill.**
- ⚠ **WARNING: The entire cooking box gets hot when in use. Do not leave unattended.**
- ⚠ **WARNING: Keep any electrical supply cord and the fuel supply hose away from any heated surface.**
- ⚠ **WARNING: Keep the cooking area clear of flammable vapors and liquids, such as gasoline, alcohol, etc., and combustible materials.**

GAS SUPPLY TESTING

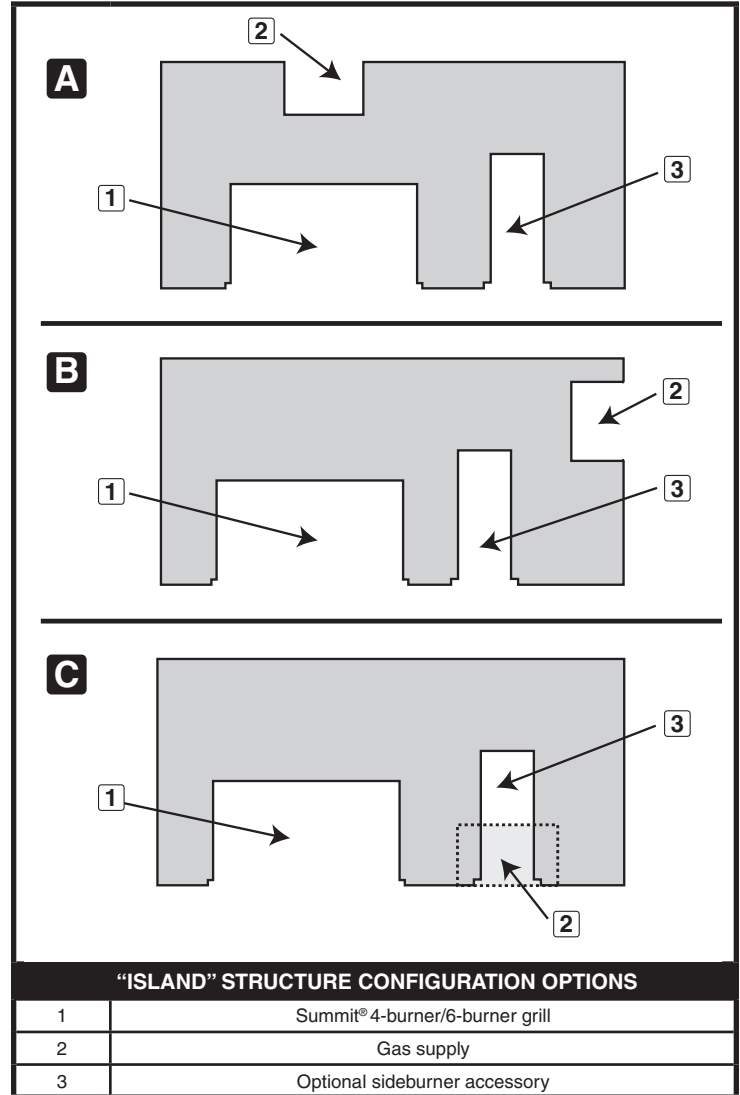
- Disconnect your Weber® gas barbecue when the gas supply is being tested at high pressures. This appliance and its individual shutoff valve must be disconnected from the gas supply piping system during any pressure testing of that system at test pressures in excess of 1/2 psig (3.5 kPa).
- Turn OFF your Weber® gas barbecue when the gas supply is being tested at low pressures. This appliance must be isolated from the gas supply piping system by closing its individual manual shutoff valve during any pressure testing of the gas supply piping system at the pressure equal to or less than 1/2 psig (3.5 kPa).

“ISLAND” STRUCTURE CONFIGURATION OPTIONS

There are many available options for locating the major components of your Island structure. Your major components are:

- 1) The Built in Grill
- 2) Gas supply enclosure
- 3) Optional Side burner accessory

The 3 common options (A, B, C) are illustrated in the “Island Structure Configuration Options” table.



NOTE: GAS LINE LIMITATION

The gas supply hose from grill manifold to gas supply bulkhead must not exceed 58" (147cm). The 3/8 (9.52mm) Side Burner accessory hose (not included) must not exceed 58 (147cm).

LOCATING YOUR BUILT-IN SIDE BURNER APPLIANCE

When determining a suitable location for your Built-In Side Burner installation, give attention to concerns such as exposure to wind, proximity to traffic paths, and keeping any gas supply lines as short as possible. Never locate the Summit® Built-In Side Burner in a garage, breezeway, shed, under overhang, or other enclosed area. Locate the Side Burner and structure so there is enough room to safely evacuate the area in case of a fire.

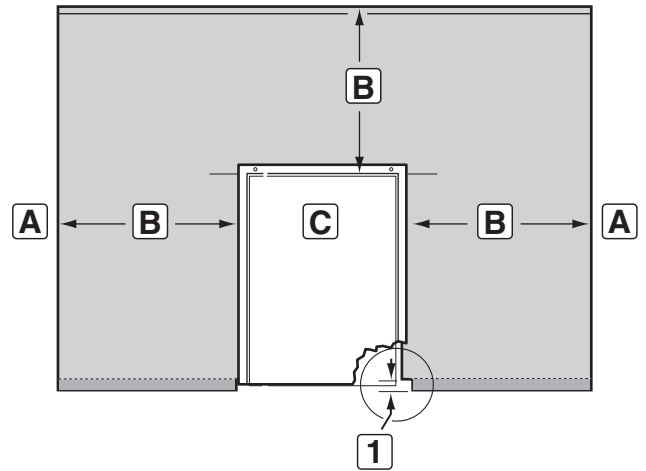
CLEARANCE FROM COMBUSTIBLE SURFACES OR STRUCTURES

⚠ WARNING: Clearance from the outside walls of the sides and back of the Built-In Side Burner must be a minimum of 24 inches (61 cm) from any combustible surface. Refer to “Installation/Gas Instructions” section before starting installation.

⚠ DANGER

The structure, “island” counter tops and adjacent work areas for the Built-In Side Burner installation must be built from noncombustible materials only. Incorrect installation may result in a fire, which can cause serious bodily injury or death, and cause damage to property.

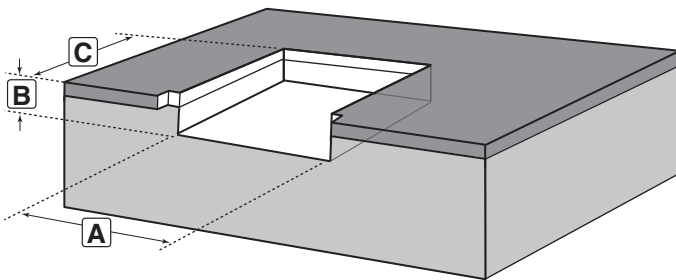
NOTE: If you have questions on what materials are considered noncombustible, contact your local building supplier or fire department.



SIDE BURNER LOCATION	
A	Any Surface
B	24" (61 cm) From Any Combustible Surface
C	Side Burner
1	Note: For a countertop treatment: Recommended 3/4" (19 mm) overhang. Notch front edge for frame to fully slide in.

BUILT-IN STRUCTURE CUTOUT DIMENSIONS

All dimensions are to finished surfaces.



⚠ WARNING: All counter top finished surfaces must be constructed of a noncombustible material.

SIDE BURNER		
	Cut out Dimensions	Tolerances
A	12 3/8" (31.4 cm)	+ 1/8" - 1/8" (3.18mm)
B	7 7/8" (20 cm)	-
C	27" (68.6 cm)	+ 1/8" - 1/8" (3.18mm)

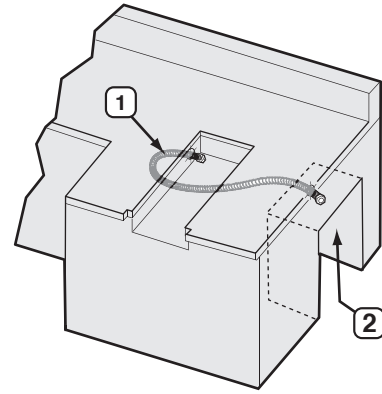
BUILT-IN GAS LINE LOCATIONS

GENERAL CONSTRUCTION DETAILS

- Summit® Built-In Side Burner unit should be on site before construction begins.
- Provide access for a corrugated gas line depending on the location of the side burner in relation to your main gas supply and regulator position.
- Area should be kept clear of sharp, jagged, or extremely abrasive surfaces to avoid possible damage to gas supply lines. Exercise caution when pulling gas lines through built-in structure.
- A 3/8 inch (9.52 mm) stainless steel corrugated gas line (NOT INCLUDED) should be used to connect the side burner to the bulkhead accessory coupling.

⚠ **CAUTION: 3/8 inch (9.52 mm) stainless steel corrugated gas line must not exceed 58 inches (147 cm) in length. A longer hose could cause an improper pressure drop.**

⚠ **WARNING: Do not use a rubber gas hose.**



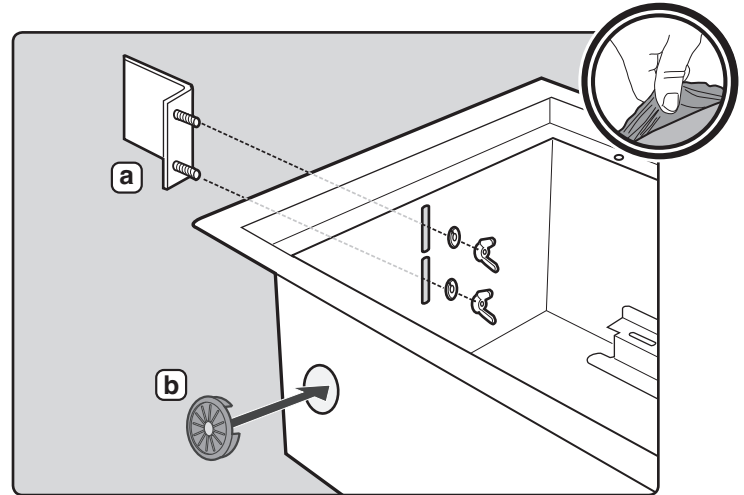
GAS LINE LOCATIONS

1	3/8" (9.52 cm) Stainless Corrugated Gas Line (58" Max. Length)
2	Gas Supply Enclosure Location

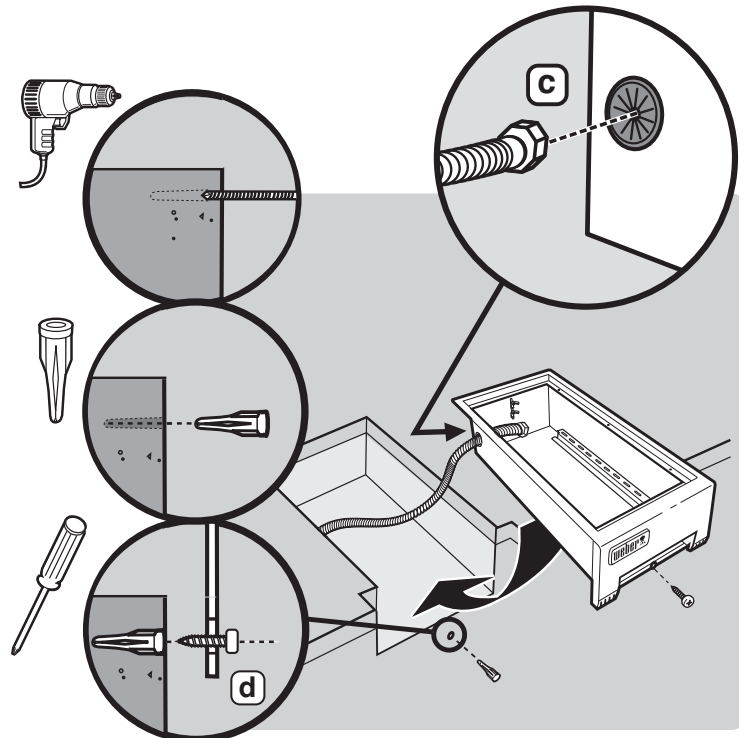
MOUNTING THE SIDE BURNER

- 1) Attach the mounting bracket(a) to the outside rear of the Side Burner box. Secure with locking washers and wing nuts. Hand-tighten only.
- 2) Insert bushing(b) into hole at rear/left side of Side Burner box until it snaps into place.
- 3) Route the 3/8 inch (9.52 mm) stainless steel corrugated gas line through the hole in the left side of the Side Burner box(c). Pass the supply end of the hose to the gas supply enclosure (see "CONNECT GAS SUPPLY" section).

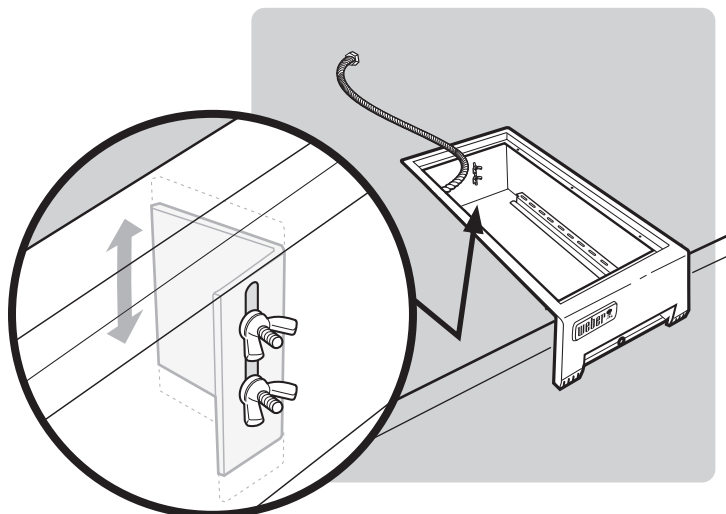
⚠ **CAUTION: Before installing component, remove protective film from the stainless steel part.**



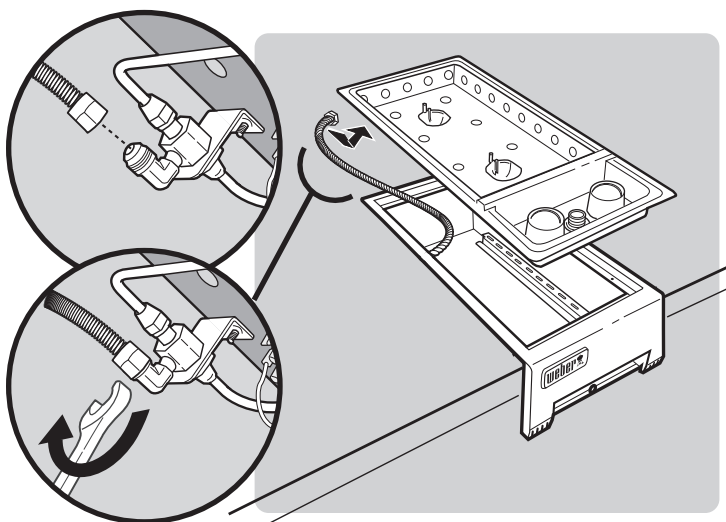
- 4) Lower the Side Burner box into the Side Burner cut out.
- 5) Secure the Side Burner box with a non corrosive screw(d) anchored into the finished surface of the "island structure".



- 6) Secure the rear of the Side Burner box to counter top by adjusting bracket at back of Side Burner box. Tighten wing nuts.

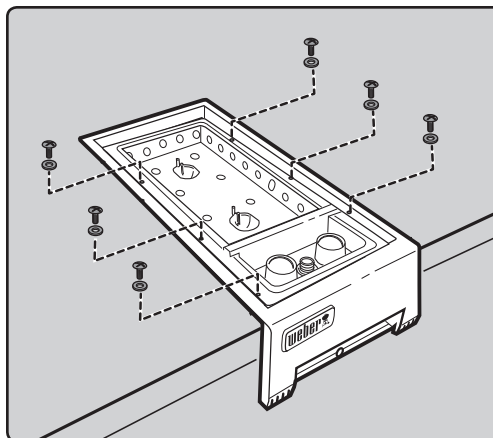


- 7) Connect the 3/8 inch (9.52 mm) stainless steel corrugated gas line to the Side Burner valve located underneath the Side Burner.

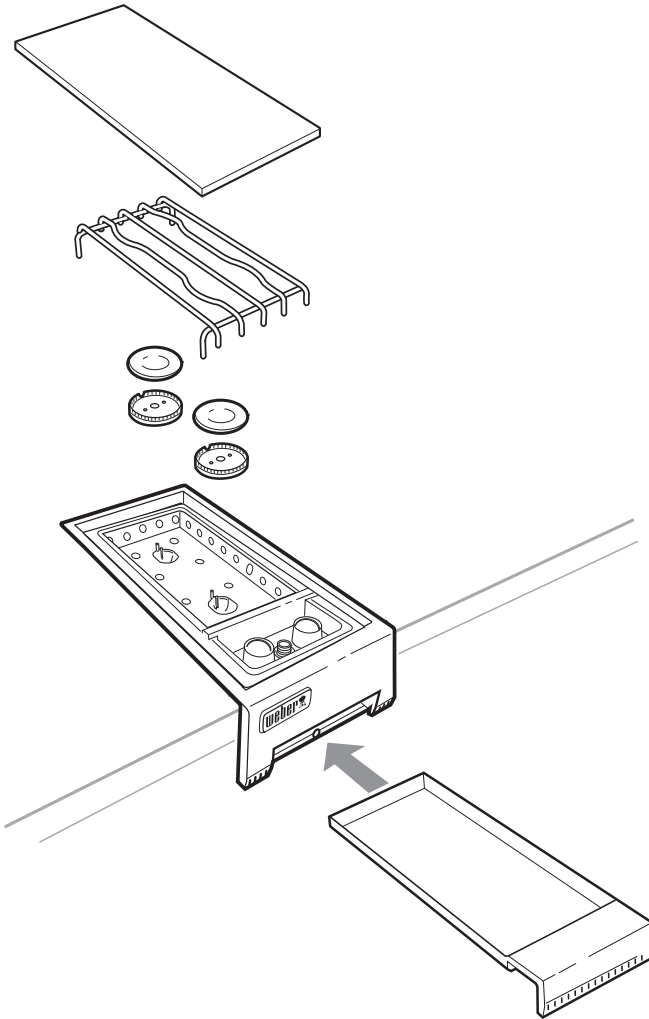


CAUTION: Before continuing installation- you must connect the Side Burner gas line to the main gas supply, then test all Side Burner gas connections for leaks. See “CONNECTING GAS SUPPLY” section and “GAS LEAK TESTING” section.

- 8) Lower the Side Burner into the Side Burner box. Use the 6 included screws and washers to secure Side Burner to Side Burner box.



9) Install remaining components.



TYPICAL NATURAL GAS SUPPLY INSTALLATION

We recommend that this installation be done by a LICENSED professional.

GENERAL SPECIFICATIONS FOR PIPING

Note - Contact your local municipality for building codes regulating outdoor gas grill installations. In absence of Local Codes, you must conform to the latest edition of National Fuel Gas Code ANSI Z223.1/NFPA54.

- This grill is designed to operate at 4.5 inches of water column pressure.
- A manual shut-off valve must be installed outdoors, and be accessible, not in the "built-in" structure. An additional manual shut-off valve indoors should be installed in the branch fuel line in an accessible location near the supply line.

⚠ CAUTION: If young children are in the area, a locking valve should be considered.

- Pipe compound should be used which is resistant to the action of liquid propane gas when gas connections are made.
- The gas connections must be firmly attached to a rigid, permanent construction.

Note: The information provided in this manual is general for typical installations. We cannot cover all possible installation ideas. We recommend, prior to installation, that you contact your municipality for local building codes and your local fire department for installation verification.

If you have any questions, contact the Customer Service Representative in your area using the contact information on our web site. Log onto www.weber.com.

GAS LINE PIPING

- Refer to piping chart.
- The corrugated gas line from the manifold is 58 inches (1,473.2 mm) long. Do not extend the gas line.
- We have provided the means to make an SAE 45° flare connection. Do not use pipe sealant on this connection.
- If the length of line required does not exceed 50 feet, use a 5/8" O.D. tube. One size larger should be used for lengths greater than 50 feet. Refer to piping chart.
- Gas piping may be copper tubing, type K or L; polyethylene plastic tube, with a minimum wall thickness of .062 inch (1.57 mm); or standard weight (schedule 40) steel or wrought iron pipe.
- Copper tubing must be tin-lined if the gas contains more than 0.3 grams of hydrogen sulfide per 100 cubic feet of gas.
- Plastic tubing is suitable only for outdoor, underground use.
- Gas piping in contact with earth, or any other material which may corrode the piping, must be protected against corrosion in an approved manner.
- Underground piping must have a minimum of 18" cover.

Table 6.2(a) Maximum Capacity of Metallic Pipe in Cubic Feet of Gas per Hour for Gas Pressures of 2 psi or Less and a Pressure Drop of 0.3 Inch Water Column. (Based on a 0.60 Specific Gravity Gas)

Nominal Iron Pipe Size (Inches)	Actual ID: (Inches)	Length of Pipe (Feet)													
		10	20	30	40	50	60	70	80	90	100	125	150	175	200
1/4	.364	32	22	18	15	14	12	11	11	10	9	8	8	7	6
3/8	.493	72	49	40	34	30	27	25	23	22	21	18	17	15	14
1/2	.622	132	92	73	63	56	50	46	43	40	38	34	31	28	26
3/4	.824	278	190	152	130	115	105	96	90	84	79	72	64	59	55
1	1.049	520	350	285	245	215	195	180	170	160	150	130	120	110	100
1 1/4	1.380	1050	730	590	500	440	400	370	350	320	305	275	250	225	210
1/12	1.160	1600	1100	890	760	670	610	560	530	490	460	410	380	350	320
2	2.067	3050	2100	1650	1450	1270	1150	1050	990	930	870	780	710	650	610
2 1/2	2.469	4800	3300	2700	2300	2000	1850	1700	1600	1500	1400	1250	1130	1050	980
3	3.068	8500	5900	4700	4100	3600	3250	3000	2800	2600	2500	2200	2000	1850	1700
4	4.026	17500	12000	9700	8300	7400	6800	6200	5800	5400	5100	4500	4100	3800	3500

© 2009 National Fire Protection Association, Inc. and International Approval Services - U.S., Inc. All Rights Reserved.

TEST CONNECTIONS

All connections and joints must be thoroughly tested for leaks in accordance with local codes and all listed procedures in the latest edition of the National Fuel Gas Code ANSI Z223.1/NFPA 54, Natural Gas and Propane Installation Code, CSA B149.1, or Propane Storage and Handling Code, B149.2, or the Standard for Recreational Vehicles, ANSI A 119.2/NFPA 1192, and CSA Z240 RV Series, Recreational Vehicle Code, as applicable.

⚠ DANGER

Do not use an open flame to check for gas leaks. Be sure there are no sparks or open flames in the area while you check for gas leaks. This will result in a fire or explosion which can cause serious bodily injury or death, and damage to property.

CONNECTING GAS SUPPLY

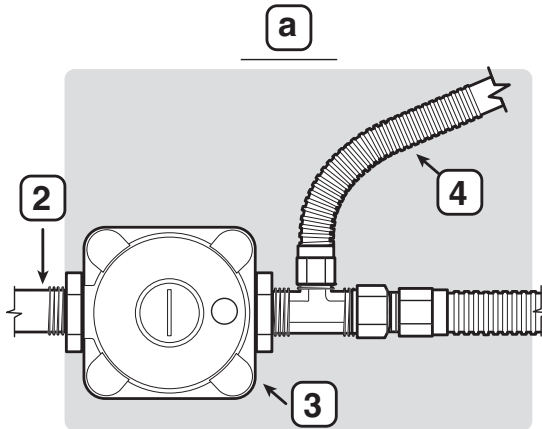
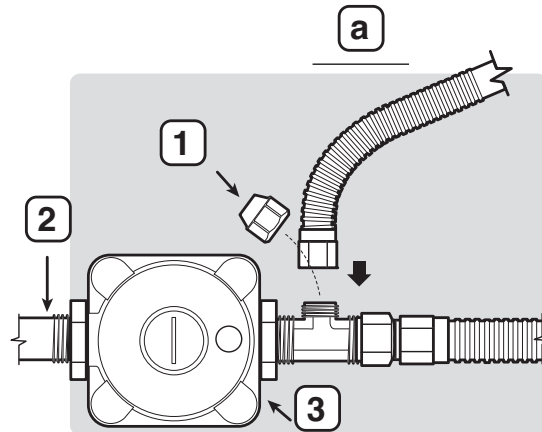
CONNECT GAS SUPPLY

- 1) Uncap the flare fitting from the optional side burner connection located at regulator.

Note: You must connect your side burner to a Weber® approved regulator (part number #62434) located at main gas supply. If you do not use a Weber® approved regulator the Warranty on the Summit® Built-In Side Burner will be voided. If you have any questions, contact the Customer Service Representative in your area using the contact information on our web site. Log onto www.weber.com.

- 2) Connect the corrugated gas line to the side burner connection.

SIDE BURNER NG SUPPLY CONNECTIONS	
1	Cap (Optional Side Burner)
2	Hard Piped Gas Supply
3	Regulator
4	To Side Burner
a	Top View



CHECK FOR GAS LEAKS

After a period of nonuse, we recommend that you perform the following maintenance procedures for your safety.

⚠ WARNING: Check the hose before each use of the grill for nicks, cracking, abrasions or cuts. If the hose is found to be damaged in any way, do not use the grill. Replace using only Summit® authorized replacement hose. Contact the Customer Service Representative in your area using the contact information on our web site.

Log onto www.weber.com®.

- Inspect the burner for correct flame pattern. Clean if necessary, following the procedures outlined in the "General Maintenance" section of this manual.
- Check all gas fittings for leaks.

TEST CONNECTIONS

All connections and joints must be thoroughly tested for leaks in accordance with local codes and all listed procedures in the latest edition of the National Fuel Gas Code ANSI Z223.1/NFPA 54, Natural Gas and Propane Installation Code, CSA B149.1, or Propane Storage and Handling Code, B149.2, or the Standard for Recreational Vehicles, ANSI A 119.2/NFPA 1192, and CSA Z240 RV Series, Recreational Vehicle Code, as applicable.

⚠ DANGER

Do not use an open flame to check for gas leaks. Be sure there are no sparks or open flames in the area while you check for leaks. Sparks or open flames will result in a fire or explosion, which can cause serious bodily injury or death and damage to property.

⚠ WARNING: You should check for gas leaks every time you disconnect and reconnect a gas fitting.

Note - All factory-made connections have been thoroughly checked for gas leaks. The burners have been flame-tested. As a safety precaution however, you should recheck all fittings for leaks before using your Weber® appliances. Shipping and handling may loosen or damage a gas fitting.

⚠ WARNING: Perform these leak checks even if your appliance was dealer or store assembled.

You will need: a soap and water solution, and a rag or brush to apply it.

Note - Since some leak test solutions, including soap and water, may be slightly corrosive, all connections should be rinsed with water after checking for leaks. Make sure side burner is OFF.

⚠ WARNING: Do not ignite burners when leak checking.

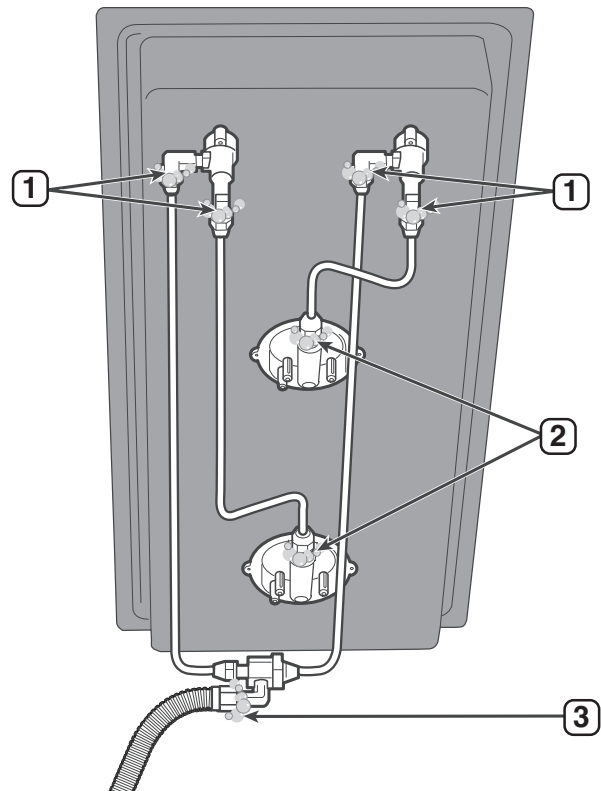
Check for leaks by wetting the connections with the soap and water solution and watching for bubbles. If bubbles form or if a bubble grows, there is a leak.

CHECK SIDE BURNER COMPONENT

Check:

- 1) Side burner lines to valve connections.
- 2) Side burner line to side burner orifice.
- 3) Side burner hose to side burner bulkhead.

⚠ WARNING: If there is a leak at connection (1, 2 or 3), retighten the fitting with a wrench and recheck for leaks with soap and water solution. If a leak persists after re-tightening the fitting, turn OFF the gas. DO NOT OPERATE THE GRILL OR SIDE BURNER. Contact the Customer Service Representative in your area using the contact information on our web site. Log onto www.weber.com®.



CHECK GAS SUPPLY CONNECTIONS

⚠ WARNING: You should check for gas leaks every time you disconnect and reconnect a gas fitting.

Note - All factory-made connections have been thoroughly checked for gas leaks. As a safety precaution however, you should recheck all fittings for leaks before using your Summit® Built-In side burner. Shipping and handling may loosen or damage a gas fitting.

You will need: a soap and water solution, an d a rag or brush to apply it.

Turn on gas supply.

Check for leaks by wetting the connections with the soap and water solution and watching for bubbles. If bubbles form or if a bubble grows, there is a leak.

Note - Since some leak test solutions, including soap and water, may be slightly corrosive, all connections should be rinsed with water after checking for leaks.

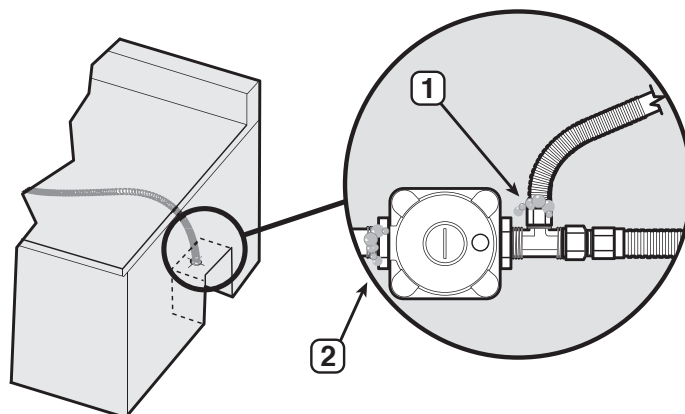
⚠ WARNING: Do not ignite burners when leak checking.

Check:

- 1) Corrugated gas line-to-Accessory "T" Connection.
- 2) Main gas supply to regulator.

⚠ WARNING: If there is a leak a connection(1 or 2), retighten the fitting with a wrench and recheck for leaks with soap and water solution. If a leak persists after retightening the fitting, turn OFF the gas. DO NOT OPERATE THE GRILL. Contact the Customer Service Representative in your area using the contact information sheet provided with your manual.

When leak checks are complete, turn gas supply OFF at the source and rinse connections with water.

**OPERATING INSTRUCTIONS****SIDE BURNER LIGHTING INSTRUCTIONS**

Summary lighting instructions are inside the left hand cabinet door.

⚠ DANGER

Failure to remove the lid while igniting the side burner, or not waiting 5 minutes to allow the gas to clear if the side burner does not light, may result in an explosive flame-up which can cause serious bodily injury or death.

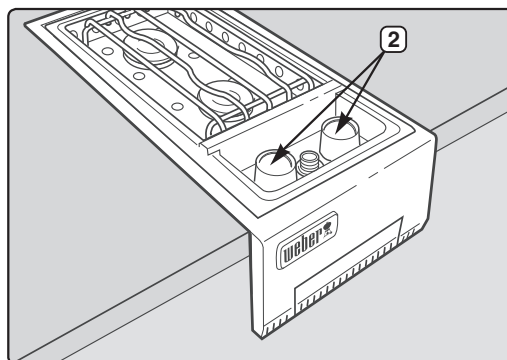
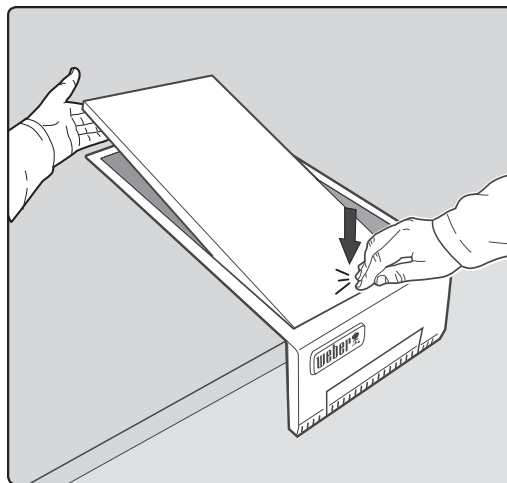
- 1) Remove the Side Burner lid by pushing down slightly on one end while lifting from the other end. Store the Side Burner lid in your grill cabinet.

⚠ CAUTION: Do not use lid as a cooking surface or a cutting surface.

- 2) Check that the side burner valves are turned OFF. (Push knobs in and turn clockwise to ensure that they are in the off position.)

⚠ WARNING: The burner control knobs must be in the OFF position before turning on gas at the source.

- 3) Turn the gas supply valve on.



- 4) Push in and turn the side burner control knob (① - rear) or control knob (② - front) to START/Hi.

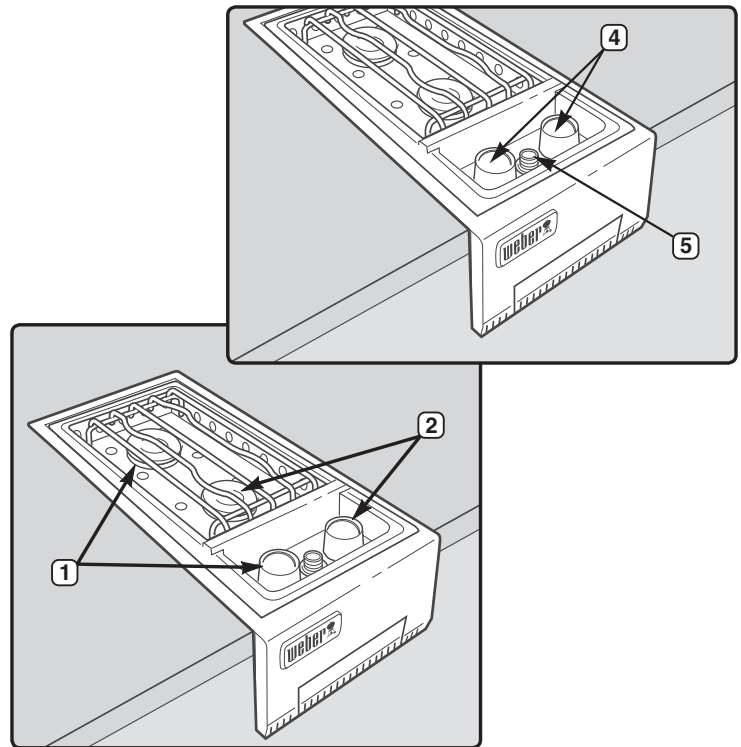
⚠ **CAUTION: Do not turn gas on to both burners at the same time.**

- 5) Push igniter button and hold until burner ignites. You will hear the igniter sparking.

⚠ **CAUTION: Side burner flame may be difficult to see on a bright sunny day.**

⚠ **WARNING: If the side burner does not light:**

- 1) Turn OFF the side burner control valve.
- 2) Wait 5 minutes to let the gas clear before you try again or try to light with a match.



TO EXTINGUISH

Push down and turn each burner control knob clockwise to the OFF position. Turn gas supply OFF at the source.

MANUALLY LIGHTING THE SIDE BURNER

⚠ DANGER

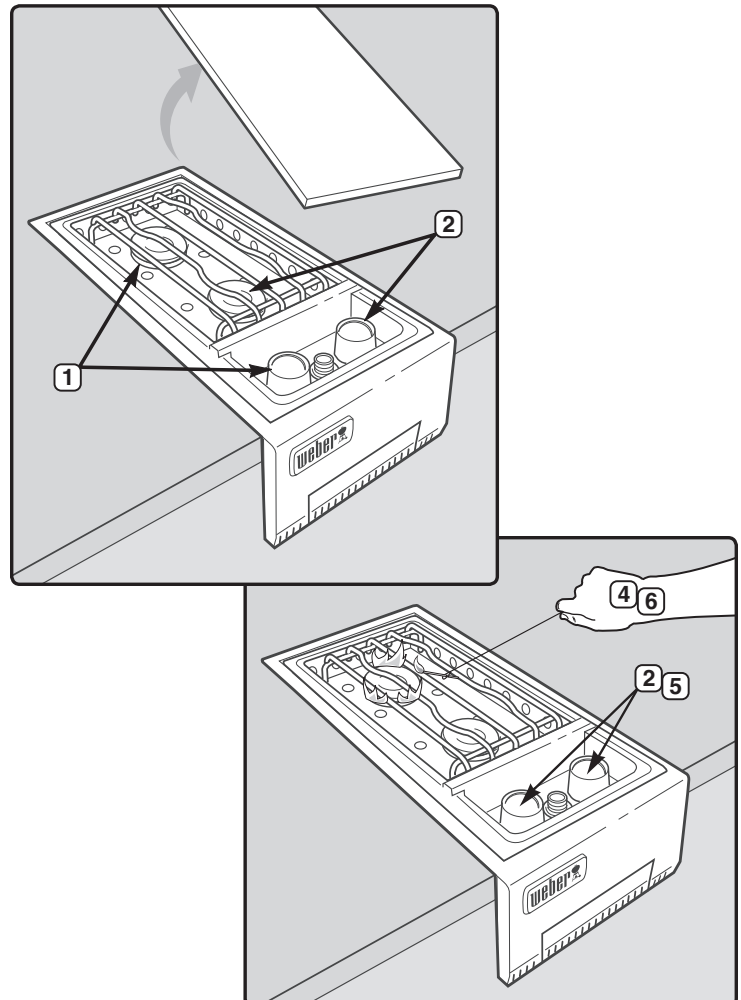
Failure to open the lid while igniting the side burner, or not waiting 5 minutes to allow the gas to clear if the side burner does not light, may result in an explosive flame-up which can cause serious bodily injury or death.

- 1) Remove the Side Burner lid by pushing down slightly on either end.
- 2) Check that the side burner valves are turned OFF. (Push the knobs down and turn clockwise to ensure that they are in the off position.)
- 3) Turn the gas supply valve on.
- 4) Put match in a match holder and strike match.
- 5) Push in and turn the side burner control knob (① - rear) or control knob (② - front) to START/Hi.
- 6) Hold match holder and lit match by right side of side burner.

⚠ **CAUTION: Side burner flame may be difficult to see on a bright sunny day.**

⚠ **WARNING: If the side burner does not light:**

- 1) Turn OFF the side burner control valve.
- 2) Wait 5 minutes to let the gas clear before you try again or try to light with a match.



PROBLEM	CHECK	CURE
Side Burner does not light.	Is gas supply off?	Turn supply on.
Flame is low in "HI" position	Is the fuel hose bent or kinked?	Straighten hose.
Push button ignition does not work.	Does burner light with a match?	If match lights burner, check igniter (see below).

If problems cannot be corrected by using these methods, please contact the Customer Service Representative in your area using the contact information on our web site. Log onto www.weber.com.

IGNITER

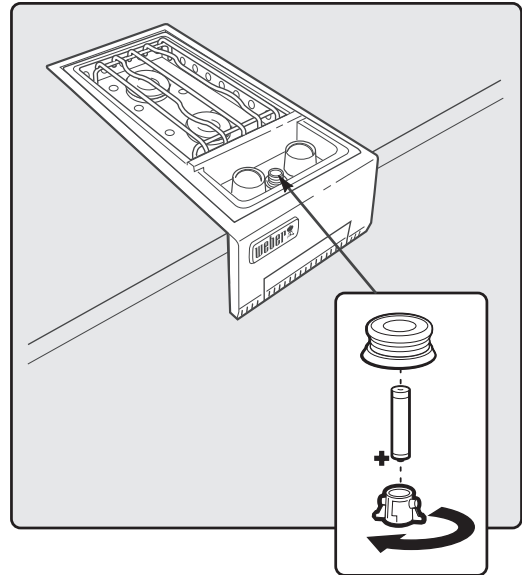
If the Ignition system fails to ignite the side burner, light the burner with a match.

- Check that both ignition wires are attached properly.
- You should hear the igniter sparking.

REPLACE BATTERY IF NECESSARY

AAA alkaline battery only. See illustration:

If the Electronic Ignition System still fails to light, contact the Customer Service Representative in your area using the contact information on our web site. Log onto www.weber.com.



GENERAL MAINTENANCE

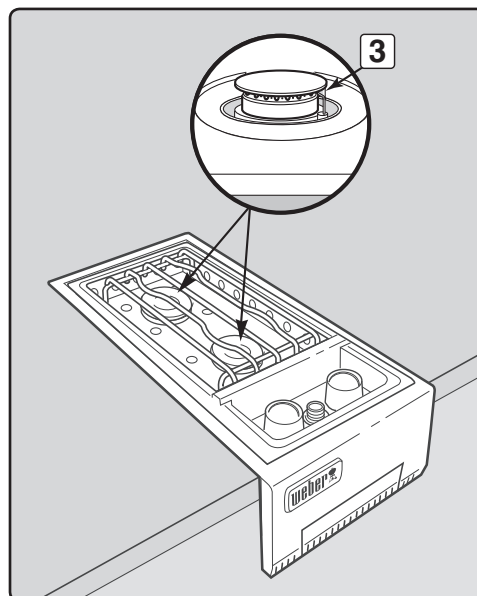
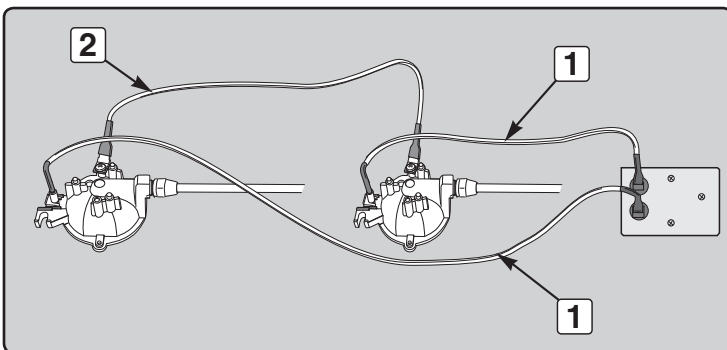
SIDE BURNER MAINTENANCE

⚠ WARNING: All gas controls and supply valves should be in the "OFF" position.

Make sure ignition wires(1) are connected between the igniter and electrodes. Make sure grounding wire(2) is connected between the igniter and grounding clips on the burner cups.

Spark should be a white/blue color, not yellow.

- 1) Igniter Wires
- 2) Ground wire
- 3) Burner



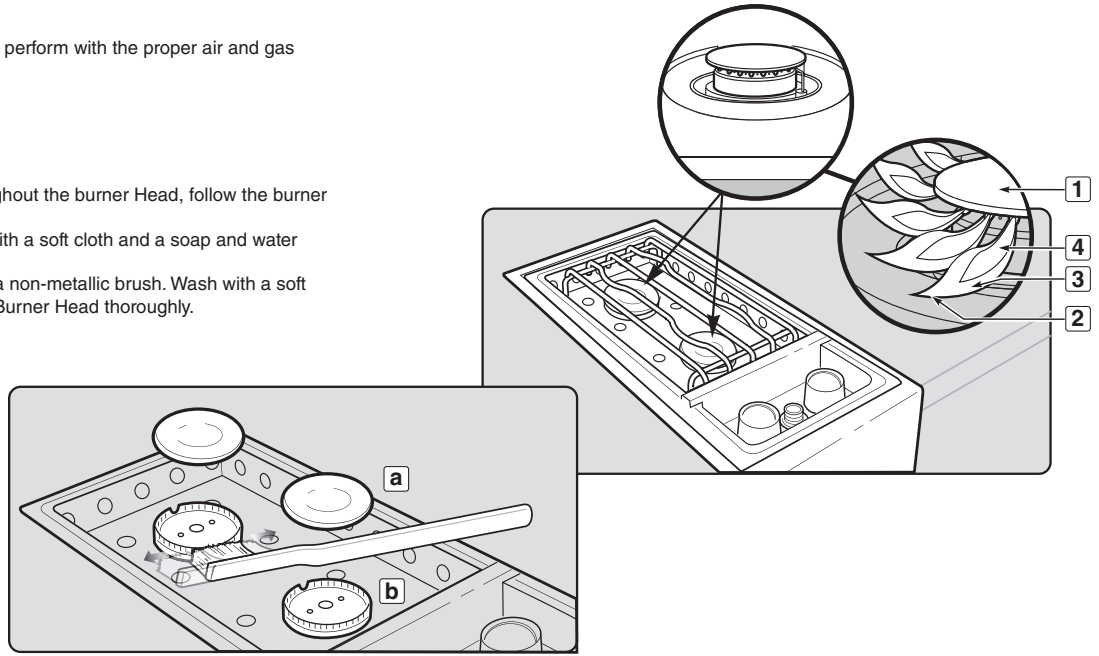
BURNER FLAME PATTERN

The Weber® gas side burner is manufactured to perform with the proper air and gas mixture. The correct flame pattern is shown.

- 1) Burner cap
- 2) Tips occasionally flicker yellow
- 3) Light blue
- 4) Dark blue

If the flames do not appear to be uniform throughout the burner Head, follow the burner cleaning procedures.

- Remove Side Burner Cap(a) and wash with a soft cloth and a soap and water solution.
- Brush debris from Burner Head(b) using a non-metallic brush. Wash with a soft cloth and a soap and water solution. Dry Burner Head thoroughly.



CLEANING

⚠ WARNING: Turn your Weber® Gas Side Burner off and wait for it to cool before cleaning.

Inside surfaces - Use a warm soapy water solution to clean, then rinse with water.

⚠ CAUTION: Do not use oven cleaner, abrasive cleansers (kitchen cleansers), cleaners that contain citrus products, or abrasive cleaning pads on the appliance.

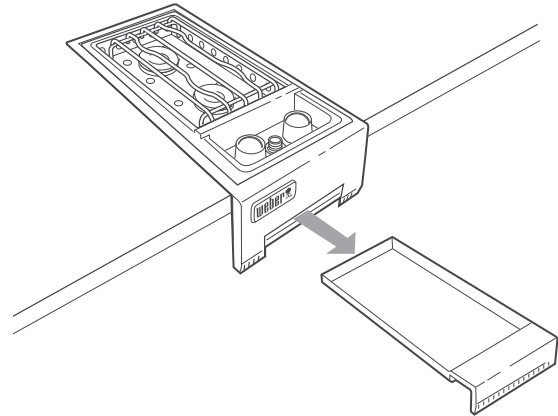
Grease tray - Pull grease tray out of Side Burner Box. Remove excess grease and moisture, wash with warm soapy water, then rinse.

Stainless steel surfaces - Wash with a soft cloth and a soap and water solution. Be careful to scrub with the grain direction of the stainless steel.

Do not use cleaners that contain acid, mineral spirits or xylene. Rinse well after cleaning.

Preserve Your Stainless Steel - Your Side Burner, lid, control panel and grease tray are made from stainless steel. To keep the stainless steel looking its best is a simple matter. Clean it with soap and water, rinse with clear water and wipe dry. For stubborn particles, the use of a non-metallic brush can be used.

⚠ IMPORTANT: Do not use a wire brush or abrasive cleaners on the stainless steel surfaces of your Side Burner as this will cause scratches.



⚠ IMPORTANT: When cleaning surfaces be sure to rub/wipe in the direction of the grain to preserve the look of your stainless steel.

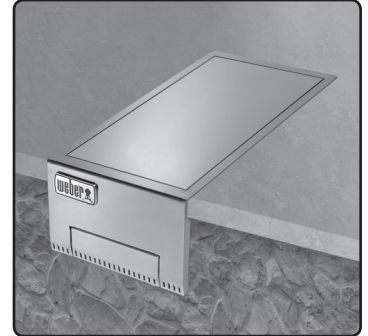
SUMMIT®



Instalación/Guía del propietario del Quemador Lateral Empotrado de gas natural

HERRAJES - PG 4

#56070



ESTE ARTEFACTO PUEDE SER ADQUIRIDO POR SEPARADO PARA SU BARBACOA EMPOTRADA WEBER

DEBE LEER ESTA GUÍA DEL PROPIETARIO ANTES DE PONER A FUNCIONAR EL QUEMADOR LATERAL

⚠ PELIGRO

Si huele a gas:

1. Cierre el suministro de gas al artefacto.
2. Apague todas las flamas cerrando la valvula general de paso.
3. Abra la tapa.
4. Llame inmediatamente a la central de fugas o a su proveedor de gas.

Una fuga de gas puede provocar un incendio o explosión que puede resultar en lesiones corporales serias o la muerte, o daños a la propiedad.

⚠ PARA SU SEGURIDAD

1. No almacene gasolina u otros fluidos inflamables en la cercanía de su aparato.
2. Ningún cilindro de propano licuado que no esté conectado para su uso deberá almacenarse cerca de éste o cualquier otro artefacto doméstico.

⚠ **NOTA IMPORTANTE:** Antes de poner a funcionar la asador, siga cuidadosamente todos los procedimientos en este manual para verificar que no existan fugas. Haga esto aun y cuando la asador haya sido ensamblada por el distribuidor.

AVISO AL INSTALADOR:

Estas instrucciones deben permanecer con el propietario, quien las deberá guardar para un futuro uso.

ESTE ARTEFACTO A GAS ESTÁ DISEÑADO PARA USARSE SOLAMENTE AL AIRE LIBRE.

⚠ **NOTA IMPORTANTE:** No trate de encender este artefacto sin antes leer la sección "Instrucciones para encender la asador" de este manual.



56070 ESNA
NG
SPANISH

⚠ PELIGRO

El hacer caso omiso de los avisos de peligros, advertencias y precauciones contenidos en este Manual del Propietario pudiera resultar en lesiones corporales serias o la muerte, o en un fuego o explosión que cause daños a la propiedad.

⚠ ADVERTENCIAS

- ⚠ No almacene un tanque de propano licuado desconectado o de repuesto debajo o cerca de la barbacoa y el Quemador Lateral.
- ⚠ El ensamblaje incorrecto puede ser peligroso. Por favor siga cuidadosamente las instrucciones de ensamblaje.
- ⚠ Tras haber estado guardados o sin uso por algún tiempo, antes de usar la barbacoa de gas y el Quemador Lateral Weber® revise ambos para verificar que no existan fugas de gas o obstrucciones en los quemadores. Vea en este manual las instrucciones para los procedimientos correctos.
- ⚠ No opere la barbacoa de gas o el Quemador Lateral Weber® si existe una fuga de gas.
- ⚠ No utilice una llama abierta para comprobar la existencia de fugas de gas.
- ⚠ Nunca debe haber materiales combustibles a una distancia menor de 24 pulgadas (60 cm) de la parte superior, inferior, trasera o lateral de su asador de gas Weber®.
- ⚠ No coloque una funda para barbacoas ni cualquier otro artículo inflamable sobre o dentro del área de almacenaje ubicada debajo del asador.
- ⚠ Nunca permita que los niños usen la barbacoa de gas Weber®. Algunas partes accesibles de la barbacoa pudieran estar muy calientes. Mantenga alejados a los niños pequeños mientras ésta se esté usando.
- ⚠ Usted debe proceder con razonable cuidado al usar su barbacoa de gas Weber®. Ésta estará caliente al cocinarse en ella o al limpiarla, y nunca deberá dejarse desatendida o moverse mientras esté funcionando.
- ⚠ Si llegasen a apagarse los quemadores, cierre todas las válvulas de gas. Abra la tapa y espere cinco minutos antes de tratar de volver a encender la barbacoa, usando las instrucciones de encendido en este manual.
- ⚠ No use carbón o piedra pómez en su barbacoa de gas Weber®.
- ⚠ No se incline sobre la barbacoa abierta o coloque las manos o dedos en el borde delantero de la caja de cocción.
- ⚠ Si la grasa llegase a agarrar fuego, apague todos los quemadores y mantenga la tapa cerrada hasta que se haya apagado el fuego.
- ⚠ Al limpiar las válvulas o los quemadores, no ensanche los orificios de las válvulas o las aberturas de los quemadores.
- ⚠ La barbacoa de gas Weber® deberá limpiarse a fondo regularmente.
- ⚠ El propano licuado no es gas natural. El uso de gas natural en una unidad de propano licuado o viceversa, propano licuado en una de gas natural, es peligroso y anulará su garantía.
- ⚠ Mientras opere la barbacoa, utilice guantes resistentes al calor.
- ⚠ Mantenga alejados de todas las superficie calientes a todo cordón eléctrico y a la manguera de suministro de combustible.
- ⚠ Los subproductos de la combustión producidos al usar este producto contienen sustancias químicas que son conocidas por el Estado de la California como causantes de cáncer, defectos de nacimiento, u otros daños reproductivos.
- ⚠ No use esta barbacoa a menos que todas sus partes estén colocadas en su sitio. La unidad debe ensamblarse correctamente de acuerdo con las instrucciones de ensamblaje.
- ⚠ Propuesta 65 Advertencia: El manipular los materiales de latón en este producto lo exponen al plomo, una sustancia química conocida por el estado de California como causante de cáncer, de defectos de nacimiento o de otros daños reproductivos. *(Lávese las manos después de manipular este producto.)*

ÚNICAMENTE UNIDADES DE GAS PROPANO LICUADO

- ⚠ Use el regulador que se suministra con la barbacoa de gas Weber®.
- ⚠ No trate de desconectar el regulador de gas o ninguna conexión de gas mientras esté funcionando la barbacoa.
- ⚠ Un cilindro de propano licuado abollado u oxidado pudiera ser peligroso y deberá ser revisado por su proveedor de propano licuado. No utilice ningún cilindro de propano licuado con una válvula dañada.
- ⚠ Aunque el cilindro de propano licuado pudiera aparentar estar vacío, algo de gas pudiera aún estar presente, por lo que el cilindro deberá transportarse y almacenarse tomando esta posibilidad en consideración.
- ⚠ Si usted ve, huele o escucha el silbido de un escape de gas del cilindro de propano licuado:
 1. Apártese del cilindro de propano licuado.
 2. No trate de corregir el problema usted mismo.
 3. Llame al cuerpo de bomberos local.

El suministro de gas natural es fácil de usar y le da más control al cocinar que el carbón vegetal.

- Estas instrucciones le indicarán los requisitos mínimos para ensamblar su Quemador Lateral Weber®. Por favor lea cuidadosamente las instrucciones antes de utilizar el Quemador Lateral Weber®. Un ensamblaje incorrecto puede ser peligroso.
- No debe ser usado por niños.
- Si existiesen códigos locales que aplicasen para barbacoas de gas portátiles, usted deberá cumplir con la más reciente edición del código nacional aplicable relativo al uso de gas combustible: ANSI Z 223.1/NFPA54.
- Esta Quemador Lateral Weber® está diseñado para ser usado exclusivamente con gas natural (distribuido por tubería en las ciudades). No use gas propano licuado embotellado. Las válvulas, los orificios, la manguera y el regulador son solamente para gas natural.
- No lo use con carbón vegetal.
- Asegúrese de que el área debajo del panel de control y la bandeja inferior no tenga desechos que pudiesen obstruir el flujo de aire de combustión o de ventilación.

ALMACENAJE

- ⚠ **Cuando el Quemador Lateral Weber® no esté usándose, el suministro de gas natural debe CERRARSE en el punto de alimentación del mismo.**
- ⚠ **Asegúrese de que el área debajo del panel de control y de la bandeja inferior corrediza no tengan desechos que pudiesen obstruir el flujo de aire de combustión o de ventilación.**

OPERACIÓN

- ⚠ **ADVERTENCIA: Use esta barbacoa sólo al aire libre en un área bien ventilada. No la use en un garaje, edificio, pasadizo techado o en cualquier otra área cerrada.**
- ⚠ **ADVERTENCIA: El Quemador Lateral Empotrado Weber® no deberá usarse debajo de un techo o saliente combustible desprotegido.**
- ⚠ **ADVERTENCIA: El Quemador Lateral Weber® no ha sido diseñado para instalarse en o sobre vehículos o botes recreativos.**
- ⚠ **ADVERTENCIA: No utilice la barbacoa con la parte superior, inferior, posterior o lateral de la misma a menos de 24 pulgadas (60.96cm) de distancia de materiales combustibles.**
- ⚠ **ADVERTENCIA: La caja de cocción entera se calienta al usarse. No la deje desatendida.**
- ⚠ **ADVERTENCIA: Mantenga cualquier cordón eléctrico y la manguera de suministro de gas alejados de toda superficie caliente.**
- ⚠ **ADVERTENCIA: Mantenga la zona donde se cocina libre de vapores y líquidos inflamables tales como gasolina, alcohol, etc. y de materiales combustibles.**

PRUEBAS DEL SUMINISTRO DE GAS

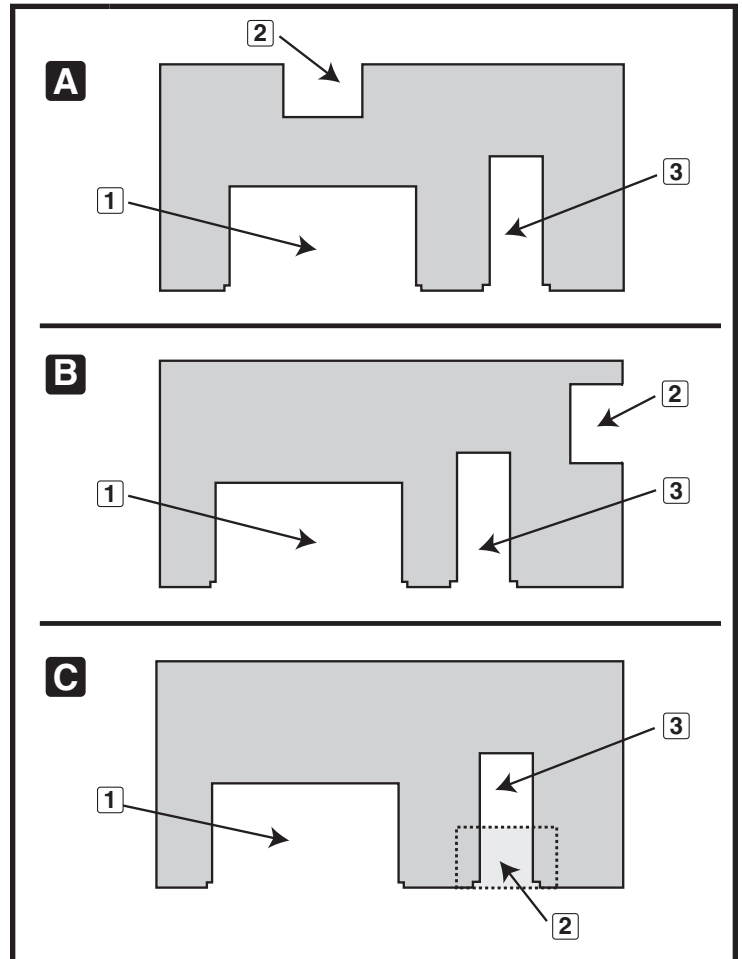
- Desconecte la barbacoa de gas Weber® cuando el sistema de suministro de gas se esté probando a altas presiones. Este artefacto y su válvula de paso propia deberán desconectarse de la tubería de suministro de gas durante cualquier prueba de presión de dicho sistema a presiones de prueba en exceso de 1/2 psig (3.5 kPa).
- APAGUE la barbacoa de gas Weber® cuando se esté probando el sistema de suministro de gas a bajas presiones. Durante cualquier prueba a presión del sistema de suministro por tubería a una presión igual o menor a 1/2 psig (3.5 kPa), este artefacto deberá aislarse de dicho sistema de suministro cerrando su válvula de paso manual propia.

OPCIONES DE CONFIGURACIÓN DE LAS ESTRUCTURAS TIPO “ISLA”

Existen muchas opciones disponibles de cómo ubicar los componentes principales en su estructura tipo isla. Los componentes principales son:

- 1) La Barbacoa Empotrada
- 2) La caja del suministro de gas
- 3) El quemador accesorio lateral opcional

Las 3 opciones comunes (A, B, C) se ilustran en la tabla “Opciones de configuración de las estructuras tipo isla.”



OPCIONES DE CONFIGURACIÓN DE LAS ESTRUCTURAS TIPO “ISLA”

1	Barbacoa Summit® de 4 y de 6 quemadores
2	Suministro de gas
3	Quemador lateral accesorio opcional

NOTA: LIMITACIÓN DE LA LÍNEA DE GAS

La manguera de suministro de gas del múltiple de gas al tabique de suministro de gas no debe exceder de 58 pulgadas (147 cm). La manguera accesorio de 3/8 pulg. (9.52 mm) (no incluida) del Quemador Lateral no debe exceder de 58 pulg. (147 cm).

UBICACIÓN DEL QUEMADOR LATERAL EMPOTRADO

Al seleccionar una ubicación adecuada para la instalación de su Quemador Lateral Empotrado, preste atención a tales asuntos como la exposición al viento, la proximidad al paso de la gente y en mantener cualquier línea de suministro de gas lo más corta posible. Nunca coloque el Quemador Lateral Empotrado Summit® en un garaje, pasadizo techado, cobertizo, bajo un voladizo desprotegido o cualquier área encerrada. Coloque el Quemador Lateral y la estructura en un sitio donde exista suficiente espacio para evacuar la zona de manera segura en caso de un incendio.

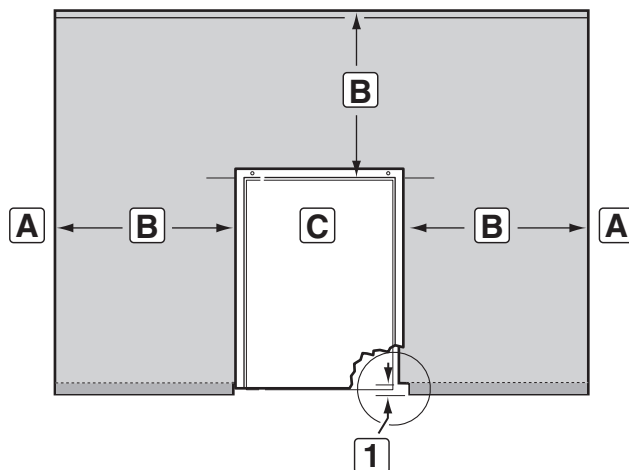
SEPARACIÓN DE LAS SUPERFICIES O ESTRUCTURAS COMBUSTIBLES

⚠ ADVERTENCIA: La separación desde las paredes exteriores de los lados y la parte posterior del Quemador Lateral Empotrado a cualquier superficie combustible debe ser de por lo menos 24 pulgadas (61 cm). Antes de iniciar la instalación, consulte la "Instalación/Instrucciones para el gas".

⚠ PELIGRO

La estructura, las encimeras de la "isla" y las áreas de trabajo adyacentes a la instalación del Quemador Lateral Empotrado deben construirse exclusivamente de materiales no combustibles. La instalación incorrecta puede resultar en un fuego o explosión, que pueden causar serias lesiones corporales o la muerte, y daños a la propiedad.

NOTA: Si tuviese cualquier pregunta sobre que materiales son considerados no combustibles, póngase en contacto con su proveedor local de materiales de construcción o con el cuerpo de bomberos.

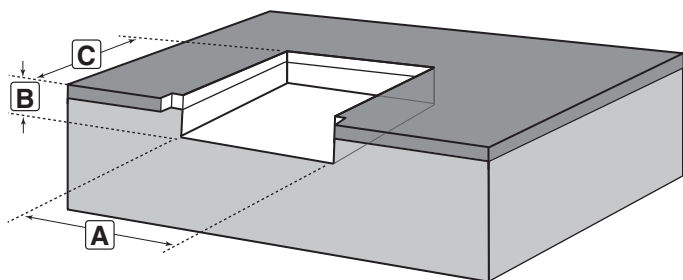


UBICACIÓN DEL QUEMADOR LATERAL

A	Cualquier superficie
B	24" (61 cm) de cualquier superficie
C	Quemador lateral
1	Nota: Para conformar la encimera: Se recomienda una saliente de 3/4" (19 mm). Haga una muesca en el borde frontal para que el bastidor puede deslizarse completamente hacia adentro.

DIMENSIONES DE LA CAVIDAD PRECORTADA DE LA ESTRUCTURA EMPOTRADA

Todas las dimensiones son con respecto a las superficies acabadas.



⚠ ADVERTENCIA: Todas las superficies de acabado de las encimeras deben construirse con materiales no combustibles.

QUEMADOR LATERAL

	Dimensiones seccionales	Tolerancias
A	12 3/8" (31.4 cm)	+ 1/8" - 1/8" (3.18mm)
B	7 7/8" (20 cm)	-
C	27" (68.6 cm)	+ 1/8" - 1/8" (3.18mm)

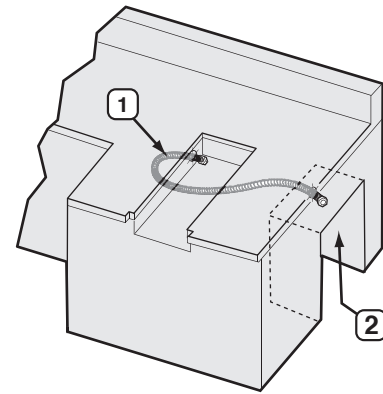
UBICACIONES DE LAS LÍNEAS DE GAS EMPOTRADAS

DETALLES GENERALES DE CONSTRUCCIÓN

- El Quemador Lateral Empotrado Summit® deberá estar en el lugar antes de comenzar la construcción.
- Proporcione acceso para una línea de gas corrugada de acuerdo a la ubicación del quemador lateral en relación a la posición del suministro de gas principal y del regulador.
- La zona no deberá tener superficies afiladas, dentadas o muy abrasivas a fin de evitar posibles daños a las líneas de suministro de gas. Tenga cuidado al halar las líneas de gas a través de la estructura empotrada.
- Deberá utilizarse una línea de gas corrugada de acero inoxidable de 3/8 pulgada (9.52 mm) (NO INCLUIDA) para conectar el quemador lateral al acople accesorio en el tabique.

⚠ PRECAUCIÓN: La línea de gas corrugada de acero inoxidable de 3/8 pulgada (9.52 mm) no debe exceder de 58 pulgadas (147 cm) de longitud. Una manguera más larga podría causar una caída de presión indebida.

⚠ ADVERTENCIA: No utilice una manguera de gas hecha de hule.



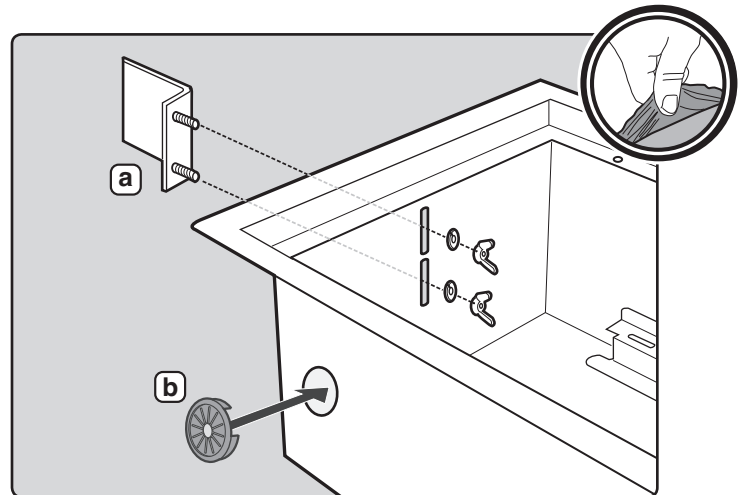
UBICACIONES DE LA LÍNEA DE GAS

1	3/8" (9.52 cm) Línea de gas corrugada de acero inoxidable SAE
2	Ubicación típica del gabinete para tanques

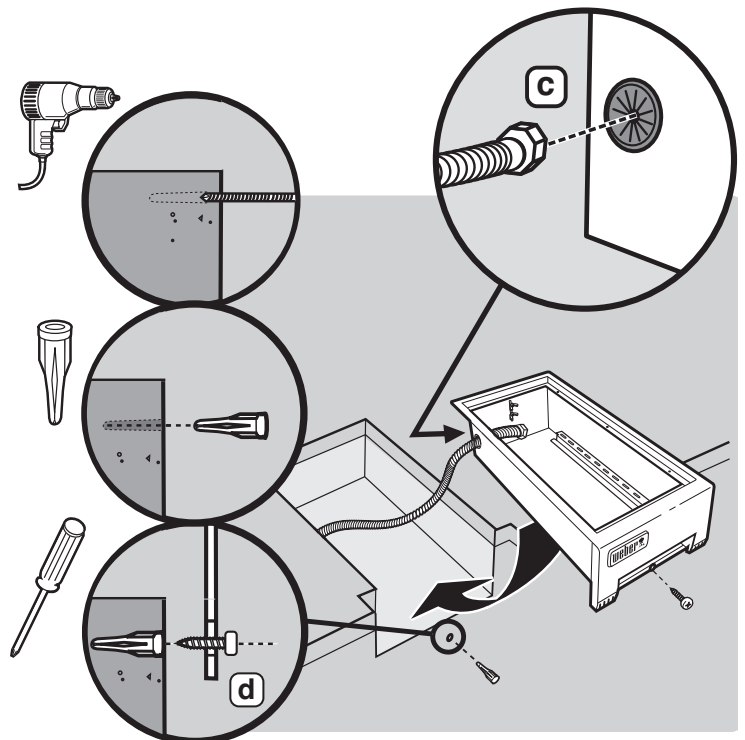
MONTAJE DEL QUEMADOR LATERAL

- 1) Fije la ménsula de montaje(a) a la parte posterior de la caja del Quemador Lateral. Asegúrela con las arandelas de seguridad y las tuercas de mariposa. Sólo apriete a mano.
- 2) Inserte el pasamuros(b) en el orificio en el lado posterior izquierdo de la caja del Quemador Lateral hasta que encaje en su sitio.
- 3) Pase la línea corrugada de 3/8 pulgada (9.52 mm) de acero inoxidable del gas a través del orificio en el lado izquierdo de la caja del Quemador Lateral (c) Pase el extremo de la alimentación de la manguera a la caja de suministro de gas (vea la sección "CONEXIÓN DEL SUMINISTRO DE GAS").

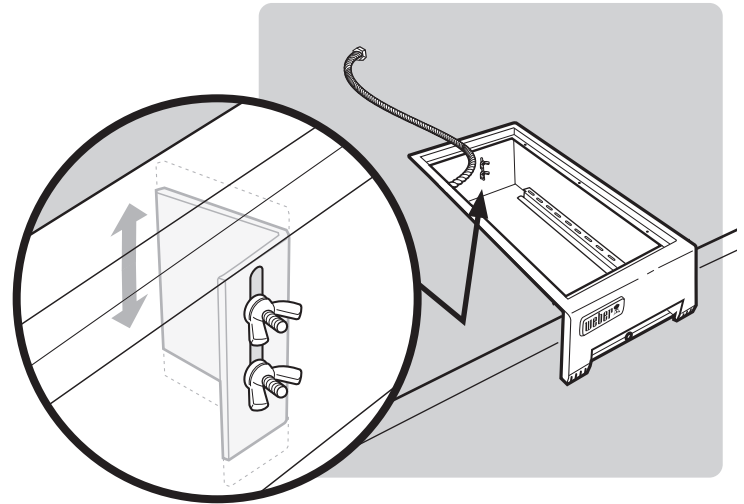
⚠ PRECAUCIÓN: Antes de instalar el componente, retire la película protectora de la pieza de acero inoxidable.



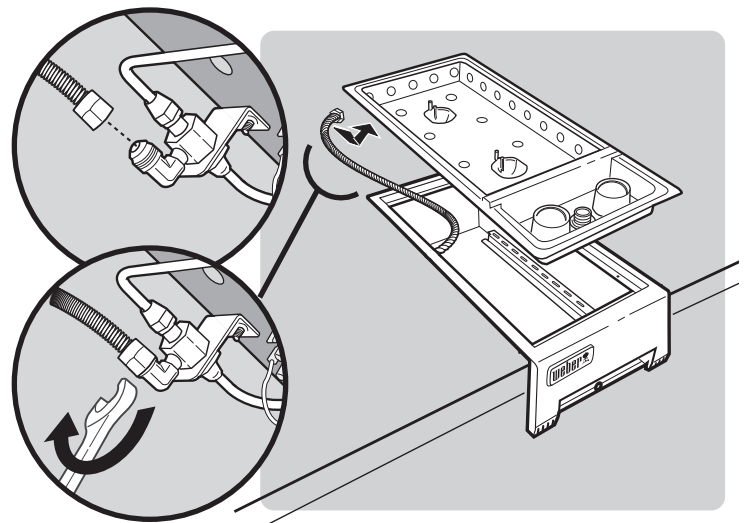
- 4) Baje la caja del quemador alterar dentro de la abertura precortada para el mismo.
- 5) Fije la caja del Quemador Lateral a su sitio con un tornillo no corrosivo(d) anclado a la superficie terminada de la "estructura tipo isla."



- 6) Fije la parte posterior de la caja del Quemador Lateral a la encimera ajustando la ménsula en la parte posterior de la caja del Quemador Lateral. Apriete las tuercas de mariposa.

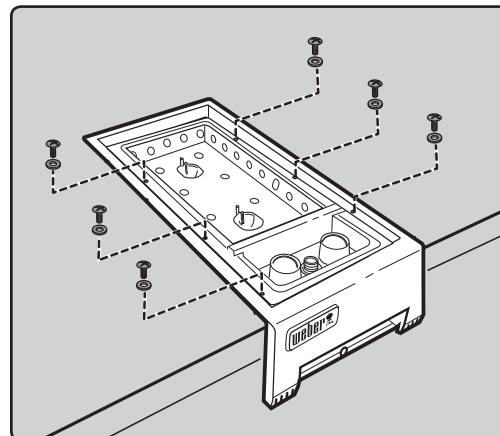


- 7) Conecte la línea corrugada de 3/8 pulgada (9.52 mm) de acero inoxidable del gas a la válvula del Quemador Lateral ubicada debajo de este último.

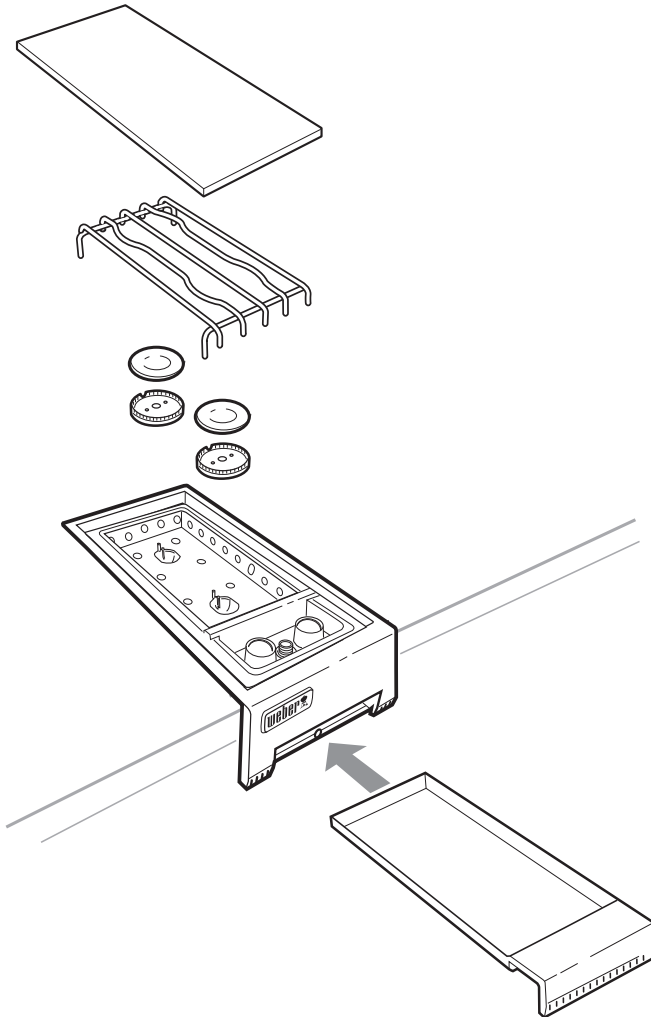


PRECAUCIÓN: Antes de continuar con la instalación, debe conectar la línea de gas del Quemador Lateral a la línea de suministro de gas, y luego probar todas las conexiones de gas al Quemador Lateral para asegurarse de que no hayan fugas. Vea la sección “CONEXIÓN DEL SUMINISTRO DE GAS” y la sección “PRUEBAS DE DETECCIÓN DE FUGAS DE GAS”.

- 8) Baje el Quemador Lateral dentro de la caja del mismo. Utilice los 6 tornillos incluidos para fijar el Quemador Lateral a su caja.



9) Instale los componentes remanentes.



INSTALACIÓN TÍPICA PARA EL SUMINISTRO DE GAS NATURAL

Recomendamos que esta instalación sea ejecutada por un profesional CERTIFICADO

ESPECIFICACIONES GENERALES PARA LA TUBERÍA

Nota - Póngase en contacto con la municipalidad de la localidad para obtener los códigos de construcción que regulan las instalaciones de las barbacoas a gas al aire libre. En la ausencia de códigos locales, deberá acatar la más reciente edición del código de gas "National Fuel Gas Code ANSI Z223.1/NFPA 54"

- Esta barbacoa está diseñada para operar bajo una presión de 4.5 pulgadas de columna de agua.
- Una válvula de cierre manual debe instalarse en una ubicación accesible al aire libre y no en la estructura "empotrada". Una válvula de cierre adicional bajo techo deberá instalarse en la línea auxiliar de gas combustible en una ubicación accesible cerca de la línea de suministro.

⚠ PRECAUCIÓN: Si en la zona hay niños presentes, debería considerarse una válvula de bloqueo.

- Se deberá utilizar un compuesto para el pegado de las tuberías que sea resistente a la acción del gas propano licuado cuando se haga la conexión al gas.
- Las conexiones de gas deben fijarse firmemente a elementos de construcción rígidos y permanentes.

Nota: La información provista en este manual es una información general para instalaciones típicas. No podemos cubrir todas las ideas posibles de instalación. Le recomendamos, previo a la instalación, que se ponga en contacto con su municipalidad para averiguar los códigos de construcción pertinentes y con el departamento de bomberos para que verifiquen la instalación.

Si tuviese cualquier pregunta, póngase en contacto con Atención al Cliente por el 1-800-446-1071.

TUBERÍA DE LA LÍNEA DE GAS

- Refiérase al cuadro de las tuberías en la parte inferior de la página anterior.
- La línea corrugada de gas proveniente del múltiple tiene 58 pulgadas (1,473.2 mm) de largo. No extienda la línea de gas.
- Hemos proporcionado los medios para hacer una conexión tipo asiento de compresión ("flare") de 45°. No utilice sellante de tubería en esta conexión.
- Si la longitud de la línea requerida no excede los 50 pies, utilice un tubo de 5/8" de diámetro externo. Se deberá usar el siguiente tamaño mayor para longitudes superiores a los 50 pies. Refiérase al cuadro de la tubería.
- La tubería de gas deberá ser de tubo de cobre, tipo K o L; tubo plástico de polietileno, con un espesor de pared de por lo menos 0.062 pulgadas (1.57 mm); o tubería de peso estándar (cédula 40) de acero o de hierro dulce.
- Los tubos de cobre deberán estar revestidos de estaño si el gas contiene más de 0.3 gramos de sulfuro de hidrógeno por 100 pies cúbicos de gas.
- La tubería de plástico es sólo apta para uso subterráneo en exteriores.
- La tubería de gas en contacto con la tierra, o cualquier otro material que pudiera corroerla, debe estar protegida contra la corrosión de una manera aprobada.
- Las tuberías bajo tierra deberá tener una cubierta mínima de 18"

Cuadro 10-1	Capacidad máxima de la tubería en pies cúbicos de gas por hora para presiones de gas de 0.5 psi o menos y caídas de presión de 0.3 pulgadas de columna de agua (basado en una gravedad específica del gas de 0.60)															
	Nominal Tubería de hierro Tamaño (pulgadas)	Diámetro interno (pulgadas)	Longitud de tubería (pies)													
10			20	30	40	50	60	70	80	90	100	125	150	175	200	
1/4	.364	32	22	18	15	14	12	11	11	10	9	8	8	7	6	
3/8	.493	72	49	40	34	30	27	25	23	22	21	18	17	15	14	
1/2	.622	132	92	73	63	56	50	46	43	40	38	34	31	28	26	
3/4	.824	278	190	152	130	115	105	96	90	84	79	72	64	59	55	
1	1.049	520	350	285	245	215	195	180	170	160	150	130	120	110	100	
1 1/4	1.380	1050	730	590	500	440	400	370	350	320	305	275	250	225	210	
1 1/2	1.160	1600	1100	890	760	670	610	560	530	490	460	410	380	350	320	
2	2.067	3050	2100	1650	1450	1270	1150	1050	990	930	870	780	710	650	610	
2 1/2	2.469	4800	3300	2700	2300	2000	1850	1700	1600	1500	1400	1250	1130	1050	980	
3	3.068	8500	5900	4700	4100	3600	3250	3000	2800	2600	2500	2200	2000	1850	1700	
4	4.026	17500	12000	9700	8300	7400	6800	6200	5800	5400	5100	4500	4100	3800	3500	

PRUEBE LAS CONEXIONES

En la ausencia de códigos locales, debe acatar la más reciente edición del código nacional "National Fuel Gas Code ANSI Z223.1/NFPA 54", del código "Natural Gas and Propane Installation Code, CSA B149.1", o del código "Propane Storage and Handling Code, B149.2", o de las normas "Standard for Recreational Vehicles, ANSI A 119.2/NFPA 1192", y "CSA Z240 RV Series, Recreational Vehicle Code", según aplique.

⚠ PELIGRO

No utilice una llama abierta para comprobar si existen fugas de gas. Asegúrese de que no haya chispas o llamas abiertas en el área mientras comprueba si existen fugas. Chispas o llamas causarían un fuego o explosión, las cuales pueden causar serias lesiones corporales o la muerte, y daños a la propiedad.

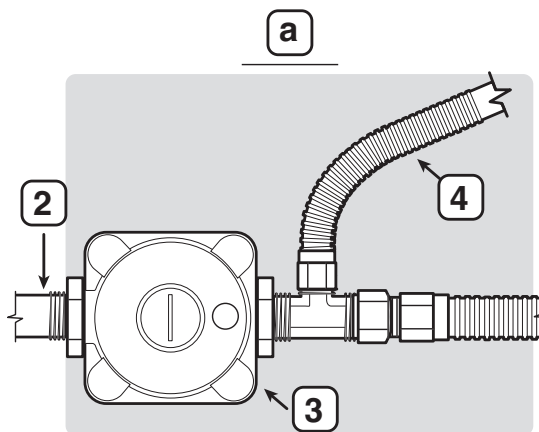
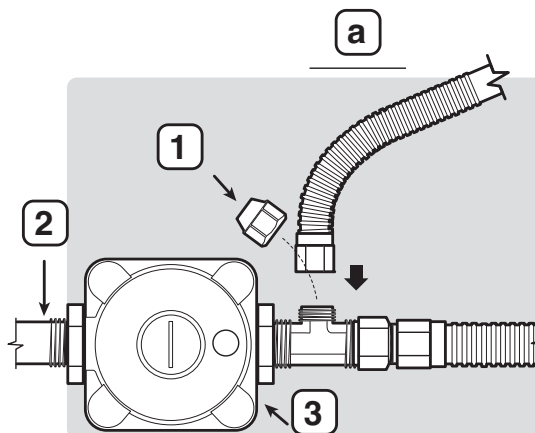
CONEXIÓN DEL SUMINISTRO DE GAS

CONECTAR EL SUMINISTRO DE GAS

- 1) Saque el accesorio acampanado de la conexión del quemador lateral que se encuentra en el regulador.

Nota: Debe conectar el quemador lateral a un regulador aprobado por Weber® (parte número #62434) ubicada en el tubería principal de suministro de gas. Si no utiliza un regulador aprobado por Weber®, la garantía del Quemador Lateral Empotrado Summit® quedará anulada. Si tuviese cualquier pregunta, póngase en contacto con Atención al Cliente por el 1-800-446-1071.

- 2) Conecte la línea corrugada de gas a la conexión del quemador lateral.



CONEXIONES DE SUMINISTRO DE GAS NATURAL AL QUEMADOR LATERAL

1	Tapa (quemador lateral opcional)
2	Suministro de gas con tubería permanente
3	Regulador
4	Al quemador lateral
a.	Vista superior

COMPRUEBE QUE NO HAYA FUGAS DE GAS

Después de un cierto tiempo sin uso, le recomendamos que lleve a cabo el siguiente procedimiento de mantenimiento para su seguridad.

⚠ ADVERTENCIA: Inspeccione la manguera previo a cada uso de la barbacoa y asegúrese de que no tenga muescas, grietas, abrasiones o cortes. Si se encontrase que la manguera estuviese dañada de cualquier manera, no utilice la barbacoa. Reemplácela solamente con una manguera de repuesto autorizada Summit®. Póngase en contacto con el Representante de Atención al Cliente usando la información de contacto en nuestro sitio en la Internet. Conéctese a www.weber.com®.

- Inspeccione el quemador para asegurarse de que esté produciendo el patrón de llamas correcto. Límpielo si fuese necesario, siguiendo los procedimientos indicados en la sección de "Mantenimiento General" de este manual.
- Revise todos los accesorios de la conexión de gas para asegurarse de que no haya fugas.

PRUEBE LAS CONEXIONES

En la ausencia de códigos locales, debe acatar la más reciente edición del código nacional "National Fuel Gas Code ANSI Z223.1/NFPA 54", del código "Natural Gas and Propane Installation Code, CSA B149.1", o del código "Propane Storage and Handling Code, B149.2", o de las normas "Standard for Recreational Vehicles, ANSI A 119.2/NFPA 1192", y "CSA Z240 RV Series, Recreational Vehicle Code", según aplique.

⚠ PELIGRO

No utilice una llama abierta para comprobar si existen fugas de gas. Asegúrese de que no haya chispas o llamas abiertas en el área mientras comprueba si existen fugas. Las chispas o llamas causarán un fuego o explosión, las cuales pueden causar serias lesiones corporales o la muerte, y daños a la propiedad.

⚠ ADVERTENCIA: Cada vez que desconecte y reconecte una conexión de gas, deberá verificar que no hayan fugas de gas.

Nota - Todas las conexiones hechas en la fábrica han sido revisadas a fondo para asegurarse de que no existan fugas. Los quemadores han sido probados con las llamas encendidas. Como medida de precaución, sin embargo, usted deberá volver a revisar todas las conexiones en busca de fugas antes de utilizar los artefactos Weber®. Durante el manejo y despacho puede haberse alojado o dañado alguna conexión de gas.

⚠ ADVERTENCIA: Lleve a cabo estas revisiones de fugas aun y cuando el artefacto haya sido ensamblado por el distribuidor o en la tienda donde lo compró.

Usted necesitará: una solución de agua y jabón y un trapo o una brocha para aplicarla. *Nota - Dado que algunas soluciones para la detección de fugas, incluyendo el agua y jabón, pueden ser ligeramente corrosivas, todas las conexiones deberán enjuagarse con agua después de realizar la búsqueda de fugas. Asegúrese de que el quemador lateral esté APAGADO.*

⚠ ADVERTENCIA: No encienda los quemadores mientras esté verificando la existencia de fugas.

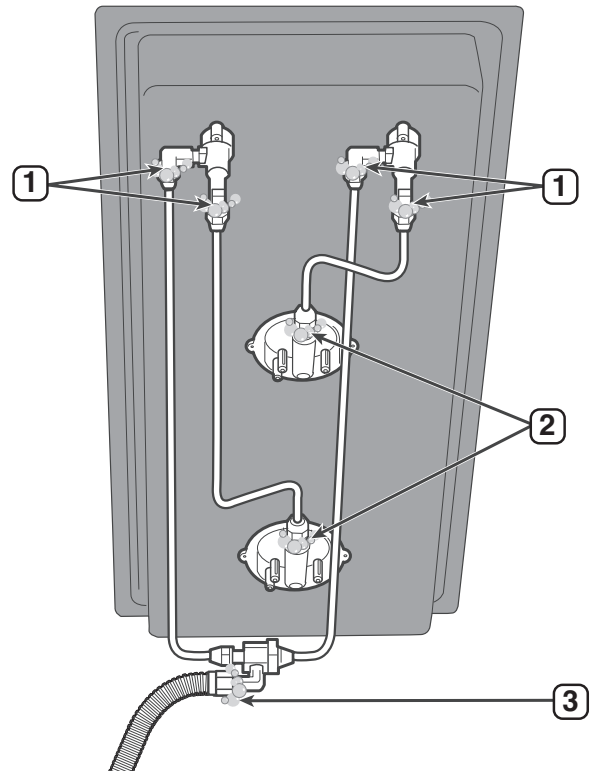
Compruebe la existencia de fugas mojando las conexiones con la solución de agua y jabón y viendo si se generan burbujas. Si se forman burbujas o si una burbuja crece, existe una fuga.

REVISE EL QUEMADOR LATERAL

Revise:

- 1) Las líneas del quemador lateral a las conexiones de la válvula.
- 2) La línea del quemador lateral al orificio del quemador lateral.
- 3) La línea del quemador lateral al tabique del quemador lateral.

⚠ ADVERTENCIA: Si hay una fuga en una conexión (1, 2 o 3), vuelva a apretar la conexión con una llave y con la solución de agua y jabón vuelva a verificar que no hayan fugas. Si una fuga persistiese aún después de volver a apretar el accesorio, **CIERRE** el gas. **NO HAGA FUNCIONAR LA BARBACOA O EL QUEMADOR LATERAL.** Póngase en contacto con un Representante de Atención al Cliente en su zona usando la información de contacto en nuestro sitio web. Conéctese a www.weber.com®.



REVISE LAS CONEXIONES DE SUMINISTRO DE GAS

⚠ ADVERTENCIA: Cada vez que desconecte y reconecte una conexión de gas, deberá verificar que no hayan fugas de gas.

Nota - Todas las conexiones hechas en la fábrica han sido revisadas a fondo para asegurarse de que no existan fugas. Como medida de precaución, sin embargo, usted deberá volver a revisar todas las conexiones en busca de fugas antes de utilizar el quemador lateral empotrado Summit®. Durante el manejo y despacho puede haberse aflojado o dañado alguna conexión de gas.

Usted necesitará: una solución de agua y jabón y un trapo o una brocha para aplicarla.

Abra el suministro de gas.

Compruebe la existencia de fugas mojando las conexiones con la solución de agua y jabón y viendo si se generan burbujas. Si se forman burbujas o si una burbuja crece, existe una fuga.

Nota - Dado que algunas soluciones para la detección de fugas, incluyendo el agua y jabón, pueden ser ligeramente corrosivas, todas las conexiones deberán enjuagarse con agua después de realizar la comprobación de fugas.

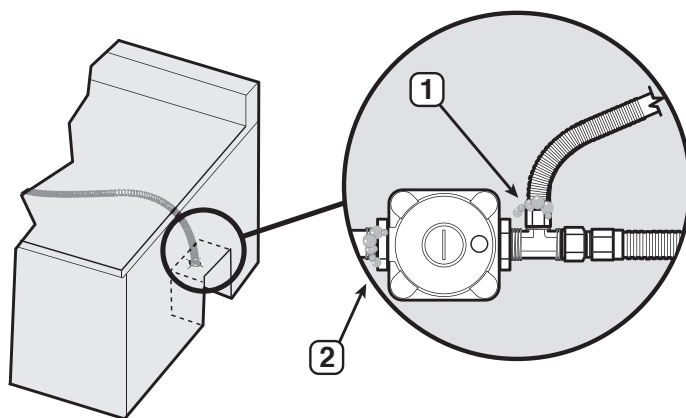
⚠ ADVERTENCIA: No encienda los quemadores mientras esté verificando la existencia de fugas.

Revise:

- 1) La línea corrugada de gas a la conexión "T".
- 2) Tubería de suministro de gas al regulador.

⚠ ADVERTENCIA: Si hay una fuga en la conexión (1 o 2), vuelva a apretar la conexión con una llave y vuelva a verificar con la solución de agua y jabón que no existan fugas de gas. Si una fuga persiste aun después de volver a apretar la conexión, **CIERRE** el gas. **NO HAGA FUNCIONAR LA BARBACOA.** Contacte al Representante de Servicio a los Clientes en su región usando la hoja de información de contacto proporcionada en el manual.

Cuando se haya completado la comprobación de las fugas de gas, **CIERRE** el suministro de gas en la fuente y enjuague las conexiones con agua.



INSTRUCCIONES DE OPERACIÓN

INSTRUCCIONES PARA ENCENDER EL QUEMADOR LATERAL

Instrucciones resumidas para el encendido se encuentran dentro de la puerta izquierda del gabinete.

⚠ PELIGRO

El no abrir la tapa mientras se esté encendiendo el quemador lateral, o no esperar 5 minutos para que el gas se disipe si el quemador lateral no se enciende, puede resultar en una llamarada explosiva, la cual puede causar lesiones corporales serias o la muerte.

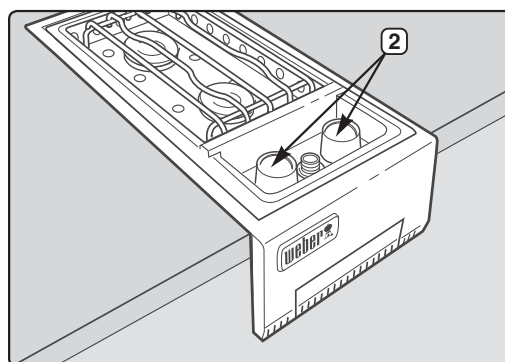
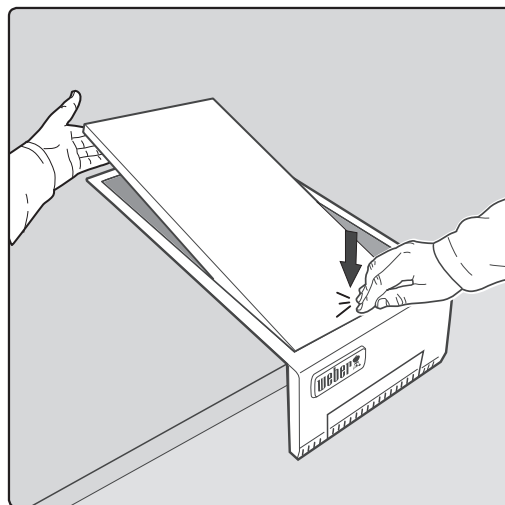
- 1) Retire la tapa del Quemador Lateral empujándola ligeramente hacia abajo de un lado mientras se la levanta del otro extremo. Guarde la tapa del Quemador Lateral en el gabinete de la barbacoa.

⚠ PRECAUCIÓN: No utilice la tapa como una superficie de cocción ni tampoco como una superficie sobre la cual cortar.

- 2) Verifique que la válvula del quemador lateral esté cerrada (posición OFF). (Presione las perillas hacia abajo y gírelas en dirección de las agujas del reloj para asegurarse de que estén cerradas en la posición OFF).

⚠ ADVERTENCIA: Las perillas de control del quemador deben estar cerradas en la posición OFF antes de abrir el gas desde la fuente.

- 3) Abra la válvula del suministro de gas.



- 4) Presione hacia abajo y gire la perilla de control del quemador lateral (① - de atrás) o la perilla de control (② - de adelante) a START/HI (Encendido/Fuego alto).

⚠ **PRECAUCIÓN:** No abra el gas a ambos quemadores a la vez.

- 5) Presione el botón de encendido y manténgalo presionado hasta que el quemador se encienda. Oirá al encendedor chisporrotear.

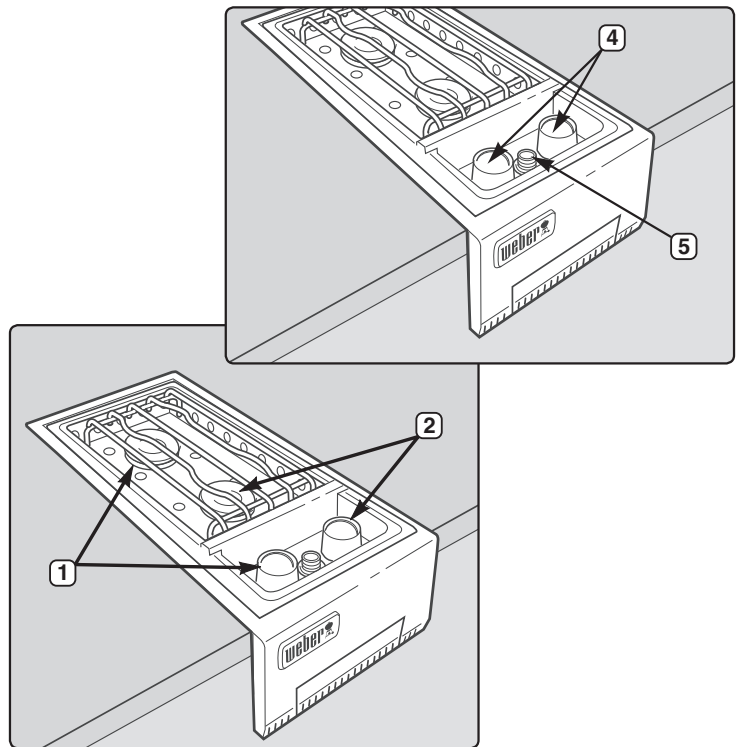
⚠ **PRECAUCIÓN:** En días soleados, la llama del quemador lateral puede ser difícil de ver.

⚠ **ADVERTENCIA:** Si el quemador lateral no se enciende:

- 1) Cierre la válvula de control del quemador lateral (posición OFF).
- 2) Espere 5 minutos para permitir que el gas se disipe antes de tratar de nuevo o tratar de encenderlo con un cerillo.

PARA APAGAR

Presione la perilla de control de cada quemador y gírelas en la dirección de las agujas del reloj a la posición OFF (apagado). Cierre el suministro de gas en la fuente del mismo.



ENCENDIDO MANUAL DEL QUEMADOR LATERAL

⚠ **PELIGRO**

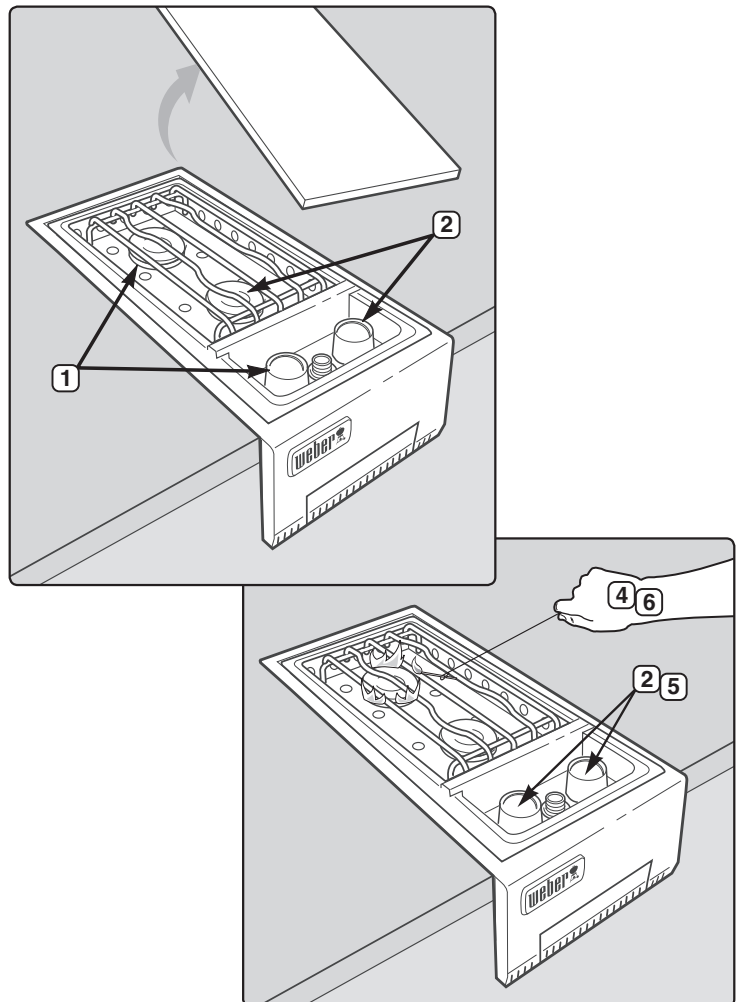
El no abrir la tapa mientras se esté encendiendo el quemador lateral, o no esperar 5 minutos para que el gas se disipe si el quemador lateral no se enciende, puede resultar en una llamarada explosiva, la cual puede causar lesiones corporales serias o la muerte.

- 1) Retire la tapa del Quemador Lateral presionándola ligeramente hacia abajo en cualquiera de los extremos.
- 2) Verifique que la válvula del quemador lateral esté cerrada (posición OFF). (Presione las perillas hacia abajo y gírelas en dirección de las agujas del reloj para asegurarse de que estén cerradas en la posición OFF).
- 3) Abra la válvula del suministro de gas.
- 4) Coloque un cerillo en el portacerillos y enciéndalo.
- 5) Presione hacia abajo y gire la perilla de control del quemador lateral (① - de atrás) o la perilla de control (② - de adelante) a START/HI (Encendido/Fuego alto).
- 6) Aguante el portacerillos y encienda el cerillo por el lado derecho del quemador lateral.

⚠ **PRECAUCIÓN:** En días soleados, la llama del quemador lateral puede ser difícil de ver.

⚠ **ADVERTENCIA:** Si el quemador lateral no se enciende:

- 1) Cierre la válvula de control del quemador lateral (posición OFF).
- 2) Espere 5 minutos para permitir que el gas se disipe antes de tratar de nuevo o tratar de encenderlo con un cerillo.



PROBLEMA	REVISAR	REMEDIO
El quemador lateral no se enciende	¿Está cerrado el suministro de gas?	Abra el suministro de gas.
La llama se mantiene baja en la posición "HI" (fuego alto)	¿Está doblada la manguera de combustible?	Enderece la manguera.
El botón de encendido no funciona.	¿Se enciende el quemador con un cerillo?	Si el quemador se enciende con un cerillo, revise el encendedor (ver abajo).
Si los problemas no pueden corregirse usando cualquiera de estos métodos, por favor contacte al Representante de Atención al Cliente en su área usando la información de contacto en nuestro sitio web. Conéctese a www.weber.com ®.		

ENCENDEDOR

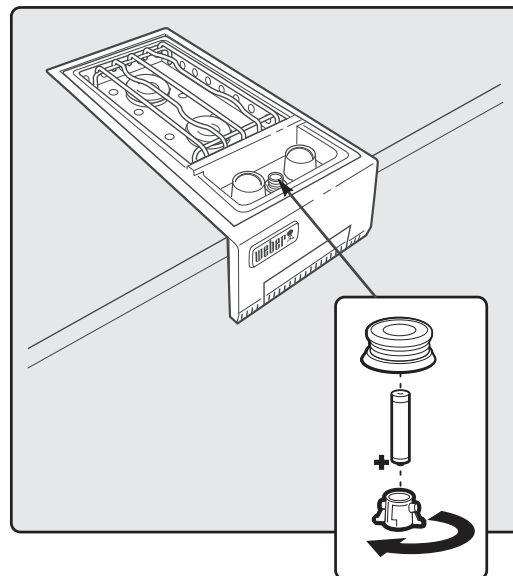
Si el sistema de encendido no logra encender el quemador lateral, enciéndalo con un cerillo.

- Verifique que ambos cables de encendido estén conectados correctamente.
- Deberá oír al encendedor chisporrotear.

REEMPLACE LA BATERÍA SI FUESE NECESARIO.

Use solamente baterías alcalinas AAA. *Vea la ilustración:*

Si el sistema de encendido electrónico aún no logra encender el quemador, contacte al Representante de Servicios al Cliente en su zona usando la información de contacto en nuestro sitio web. Conéctese a www.weber.com®.



MANTENIMIENTO GENERAL

MANTENIMIENTO DEL QUEMADOR LATERAL

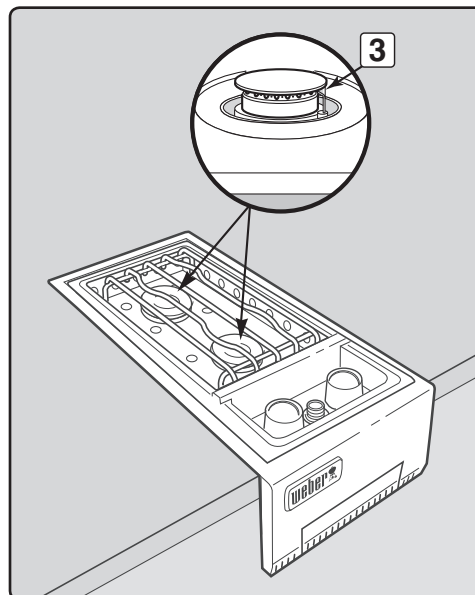
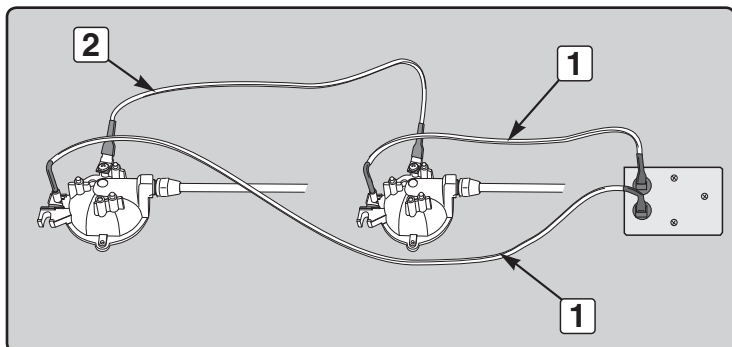
⚠ ADVERTENCIA: Todos los controles de gas y válvulas de suministro deberán estar cerrados en la posición OFF.

Asegúrese de que los cables de encendido(1) estén conectados entre el encendedor y los electrodos.

Asegúrese de que el cable de conexión a tierra(2) esté conectado entre el encendedor y las abrazaderas de conexión a tierra en las tazas del quemador.

La chispa deberá ser de color blanco/azul, no amarilla.

- 1) Cables del encendedor
- 2) Cable de conexión a tierra
- 3) Quemador



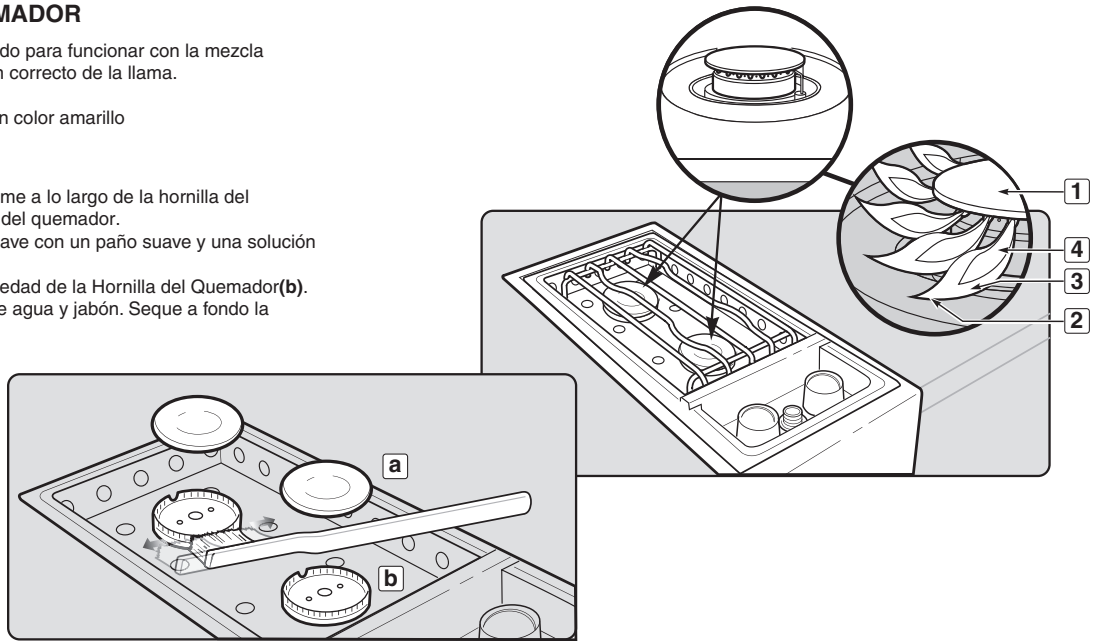
PATRÓN DE LA LLAMA DEL QUEMADOR

El quemador lateral de gas Weber® está fabricado para funcionar con la mezcla correcta de aire y gas. Acá se muestra el patrón correcto de la llama.

- 1) Tapa del quemador
- 2) Las puntas ocasionalmente titilarán con un color amarillo
- 3) Azul claro
- 4) Azul oscuro

Si las llamas no muestran una apariencia uniforme a lo largo de la hornilla del quemador, siga los procedimientos de limpieza del quemador.

- Retire la Tapa del Quemador Lateral(a) y lave con un paño suave y una solución de agua y jabón.
- Con una brocha no metálica limpie la suciedad de la Hornilla del Quemador(b). Lave con un paño suave y una solución de agua y jabón. Seque a fondo la Hornilla del Quemador.



LIMPIEZA

⚠ ADVERTENCIA: Apague el Quemador Lateral Weber® y espere a que se enfríe antes de limpiarlo.

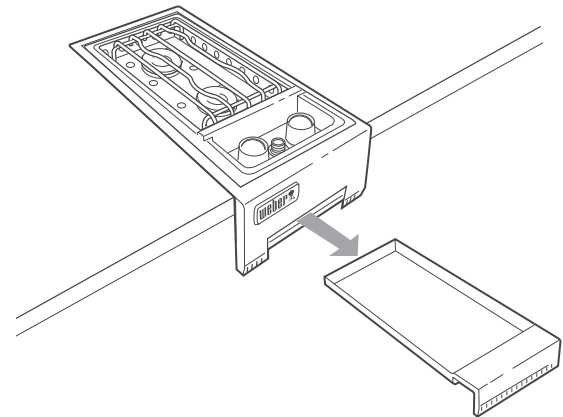
Superficies internas - Utilice una solución de agua jabonosa tibia para limpiarlas y luego enjuáguelas con agua.

⚠ PRECAUCIÓN: No utilice sobre el artefacto limpiadores de hornos, limpiadores abrasivos (limpiadores de cocinas), limpiadores que contengan productos cítricos o almohadillas de limpieza abrasivas.

Bandeja de grasa - Hale la bandeja de grasa hacia fuera de la caja del Quemador Lateral. Quite el exceso de grasa y humedad, lávela con agua jabonosa tibia y luego enjuáguela.

Superficies de acero inoxidable - Lávelas con un paño suave y una solución de agua y jabón. Tenga cuidado de fregarlas en la dirección del grano del acero inoxidable. No utilice limpiadores que contengan ácido, destilado de petróleo o xileno. Enjuague bien después de limpiar.

Preserve su acero inoxidable - El Quemador Lateral, la tapa, el panel de control y la bandeja de grasa están hechos de acero inoxidable. El mantener vistoso al acero inoxidable es algo sencillo. Límpielo con agua y jabón, enjuáguelo con agua limpia y séquelo con un paño. Para partículas difíciles de sacar, se puede usar un cepillo no metálico.



⚠ IMPORTANTE: No utilice un cepillo de alambre o limpiadores abrasivos sobre las superficies de acero inoxidable del Quemador Lateral puesto que lo rayarán.

⚠ IMPORTANTE: Al limpiar las superficies asegúrese de frotar/restregar en la dirección del grano para preservar la vistosidad del acero inoxidable.

SUMMIT[®]

Guide d'installation/Mode d'emploi du brûleur latéral à gaz naturel intégré

MATERIEL - PG 4

#56070



CET APPAREIL PEUT ETRE ACHETE SEPAREMENT POUR VOTRE BARBECUE GRILL INTEGRE WEBER.

**VOUS DEVEZ LIRE CE MODE D'EMPLOI
AVANT D'UTILISER VOTRE BRULEUR
LATERAL**

⚠ DANGER

S'il y a une odeur de gaz:

1. Coupez l'admission de gaz de l'appareil.
2. Éteindre toute flamme nue.
3. Ouvrir le couvercle.
4. Si l'odeur persiste, éloignez-vous de l'appareil et appelez immédiatement le fournisseur de gaz ou le service d'incendie.

Une fuite de gaz risque de provoquer un incendie ou une explosion susceptible d'occasionner des blessures graves, voire mortelles, ou des dégâts matériels.

⚠ AVERTISSEMENT:

1. Ne pas entreposer ni utiliser de l'essence ni d'autres vapeurs ou liquides inflammables dans le voisinage de l'appareil, ni de tout autre appareil.
2. Une bouteille de propane qui n'est pas raccordée en vue de son utilisation, ne doit pas être entreposée dans le voisinage de cet appareil ou de tout autre appareil.

⚠ MISE EN GARDE: Suivez toutes les procédures de détection des fuites de ce manuel avec soin avant d'utiliser le barbecue. Faites-le même si le barbecue a été assemblé par le revendeur.

NOTE A L'INTENTION DE L'INSTALLATEUR: Les présentes instructions doivent être remises au propriétaire et le propriétaire devrait les conserver pour les utiliser plus tard.

**CET APPAREIL A GAZ EST CONCU
POUR UNE UTILISATION EN EXTERIEUR
UNIQUEMENT.**

⚠ MISE EN GARDE: N'essayez pas d'allumer cet appareil sans lire la section des "Instructions pour l'allumage" de ce manuel.



56070 FC
NG
FRENCH CANADIAN

⚠ DANGER

Le non respect des consignes intitulées Danger, Mise en garde et Attention contenues dans le présent Mode d'emploi peut entraîner une blessure grave ou la mort, ou un incendie ou une explosion provoquant des dommages à la propriété.

⚠ MISES EN GARDE

- ⚠ Ne rangez pas de bouteille de propane liquide de rechange ou de bouteille de propane liquide débranchée sous ou à proximité du barbecue et du Brûleur latéral.
- ⚠ Un mauvais montage peut se révéler dangereux. Veuillez suivre les instructions de montage avec soin.
- ⚠ Après une période de rangement, et/ou d'inutilisation, le barbecue à gaz Weber® et le Brûleur latéral devraient être vérifiés afin de détecter toute fuite de gaz et toute obstruction des brûleurs avant utilisation. Voir les instructions dans ce manuel pour les procédures correctes.
- ⚠ N'utilisez pas le barbecue à gaz Weber® ou le Brûleur latéral en cas de fuite de gaz.
- ⚠ N'utilisez pas de flamme pour détecter les fuites de gaz.
- ⚠ Aucune matière inflammable ne devrait jamais se trouver dans un rayon de 24 pouces par rapport à l'arrière ou aux côtés de votre barbecue à gaz Weber®.
- ⚠ Ne placez pas de bâche de protection de barbecue ni aucune matière inflammable sur la barbecue ou dans la zone de stockage au-dessous du barbecue.
- ⚠ Votre barbecue à gaz Weber® ne devrait jamais être utilisé par des enfants. Les pièces accessibles du barbecue peuvent atteindre une température très élevée. Maintenez les jeunes enfants à l'écart pendant son utilisation.
- ⚠ Vous devriez faire preuve d'une prudence raisonnable lorsque vous utilisez votre barbecue à gaz Weber®. Celui-ci sera très chaud pendant la cuisson ou le nettoyage et ne devrait jamais être laissé sans surveillance ni déplacé pendant son utilisation.
- ⚠ Si les brûleurs s'éteignent pendant l'utilisation, fermez toutes les valves de gaz. Ouvrez le couvercle puis patientez cinq minutes avant d'essayer de rallumer les brûleurs, en utilisant les instructions pour l'allumage.
- ⚠ N'utilisez pas de charbon de bois ni de pierres de lave dans votre barbecue à gaz Weber®.
- ⚠ Ne vous penchez jamais au-dessus du grill ouvert ou ne placez jamais les mains ou les doigts sur l'extrémité avant du boîtier de cuisson.
- ⚠ Si un feu de graisse se produisait, fermez tous les brûleurs et laissez le couvercle fermé jusqu'à ce que le feu s'éteigne.
- ⚠ N'élargissez pas les orifices des valves ou les ports des brûleurs lorsque vous nettoyez les valves ou les brûleurs.
- ⚠ Le barbecue à gaz Weber® devrait être nettoyé méticuleusement de façon régulière.
- ⚠ Le gaz propane liquide n'est pas du gaz naturel. La conversion ou la tentative d'utilisation de gaz naturel dans un appareil à propane liquide ou de gaz propane liquide dans un appareil à gaz naturel est dangereuse et annulera votre garantie.
- ⚠ Utilisez des gants pour barbecue résistants à la chaleur lorsque vous utilisez le barbecue.
- ⚠ Maintenez tout cordon électrique d'alimentation ainsi que le tuyau d'alimentation en combustible à l'écart de toute surface chauffée.
- ⚠ Les dérivés de combustion générés lors de l'utilisation de ce produit contiennent des agents chimiques reconnus par l'Etat de Californie comme provoquant des cancers, des anomalies congénitales ou d'autres troubles de la reproduction.
- ⚠ N'utilisez ce barbecue que si toutes les pièces sont en place. Cet appareil doit être correctement assemblé conformément aux instructions de montage.
- ⚠ Proposition 65 Avertissement : Le fait de manipuler le matériau en laiton du produit vous expose au plomb, une matière qui selon l'Etat de Californie provoque des cancers, des pathologies congénitales ou d'autres pathologies similaires. (N'oubliez pas de vous laver les mains avant de manipuler ce produit.)

APPAREILS A GAZ PROPANE UNIQUEMENT:

- ⚠ Utilisez l'ensemble régulateur de pression et tuyau fourni avec votre barbecue à gaz Weber®.
- ⚠ Ne tentez pas de déconnecter l'ensemble régulateur et tuyau de gaz ni tout autre raccord de gaz pendant que vous utilisez votre barbecue.
- ⚠ L'utilisation d'une bouteille de gaz propane liquide comportant une bosse ou d'une bouteille rouillée peut être dangereuse et une telle bouteille devrait être vérifiée par votre fournisseur de propane. N'utilisez pas une bouteille de propane liquide dont la valve est détériorée.
- ⚠ Bien que votre bouteille de propane liquide puisse sembler vide, il est possible qu'elle contienne encore du gaz, et la bouteille devrait être transportée et stockée en conséquence.
- ⚠ Si vous voyez, sentez ou entendez du gaz s'échapper de la bouteille de propane liquide:
 1. Eloignez-vous de la bouteille de propane liquide.
 2. Ne tentez pas de corriger le problème vous-même.
 3. Appelez votre service incendie.

L'arrivée de gaz naturel est facile à utiliser et vous permet de contrôler davantage votre cuisson que le charbon de bois.

- Ces instructions vous fourniront les bases minimales nécessaires pour l'assemblage de votre Brûleur latéral intégré Weber®. Veuillez lire les instructions avec attention avant d'utiliser votre Brûleur latéral intégré Weber®. Un montage mal effectué peut se révéler dangereux.
- Ne convient pas pour une utilisation par des enfants.
- Si des codes régionaux s'appliquent à l'utilisation des grills à gaz portatifs, vous devrez vous y conformer. En l'absence de codes régionaux, vous devez vous conformer à la dernière édition du code national sur le gaz combustible : ANSI Z 223.1/NFPA54.
- Ce Brûleur latéral intégré Weber® est conçu pour le gaz naturel (gaz de ville) uniquement. N'utilisez pas de gaz propane liquide (PL) en bouteille. Les valves, les orifices et le tuyau sont conçus pour une utilisation avec du gaz naturel uniquement.
- Ne pas utiliser avec du charbon de bois.
- Vérifiez que la zone située au-dessous du panneau de commande et le plateau inférieur ne comportent pas de débris susceptibles de faire obstruction au débit de l'air nécessaire à la combustion ou à la ventilation.

RANGEMENT

- ⚠ **Le gaz doit être coupé au niveau de l'arrivée de gaz naturel lorsque le Brûleur latéral intégré Weber® n'est pas utilisé.**
- ⚠ Vérifiez que les zones situées au-dessous du panneau de commande et du plateau inférieur coulissant ne comportent aucun débris susceptible de faire obstruction au débit de l'air nécessaire à la combustion ou à la ventilation.

UTILISATION

- ⚠ **MISE EN GARDE : Utilisez ce barbecue uniquement en extérieur dans une zone bien ventilée. Ne l'utilisez pas dans un garage, un bâtiment, un passage couvert ou dans tout autre lieu confiné.**
- ⚠ **MISE EN GARDE : Votre Brûleur latéral intégré Weber® ne doit pas être utilisé sous un toit ou un toit suspendu inflammable non protégé.**
- ⚠ **MISE EN GARDE : Votre Brûleur latéral intégré Weber® n'est pas conçu pour une installation dans ou sur des véhicules de loisirs et/ou des bateaux.**
- ⚠ **MISE EN GARDE : N'utilisez pas le barbecue dans un rayon de 24 (60,96 cm) pouces par rapport à toute matière inflammable, ou par rapport aux parties supérieure et inférieure du grill et par rapport à l'arrière et aux côtés de celui-ci.**
- ⚠ **MISE EN GARDE : La totalité du boîtier de cuisson atteint une température élevée pendant l'utilisation. Ne laissez pas l'appareil sans surveillance.**
- ⚠ **MISE EN GARDE : Conservez tout cordon d'alimentation électrique ainsi que le tuyau d'alimentation en gaz à l'écart de toute surface chauffée.**
- ⚠ **MISE EN GARDE : Maintenez la zone de cuisson dégagée de toute vapeur et de tous liquides inflammables, comme de l'essence, de l'alcool, etc., et de toute matière combustible.**

TEST DE L'ARRIVEE DE GAZ

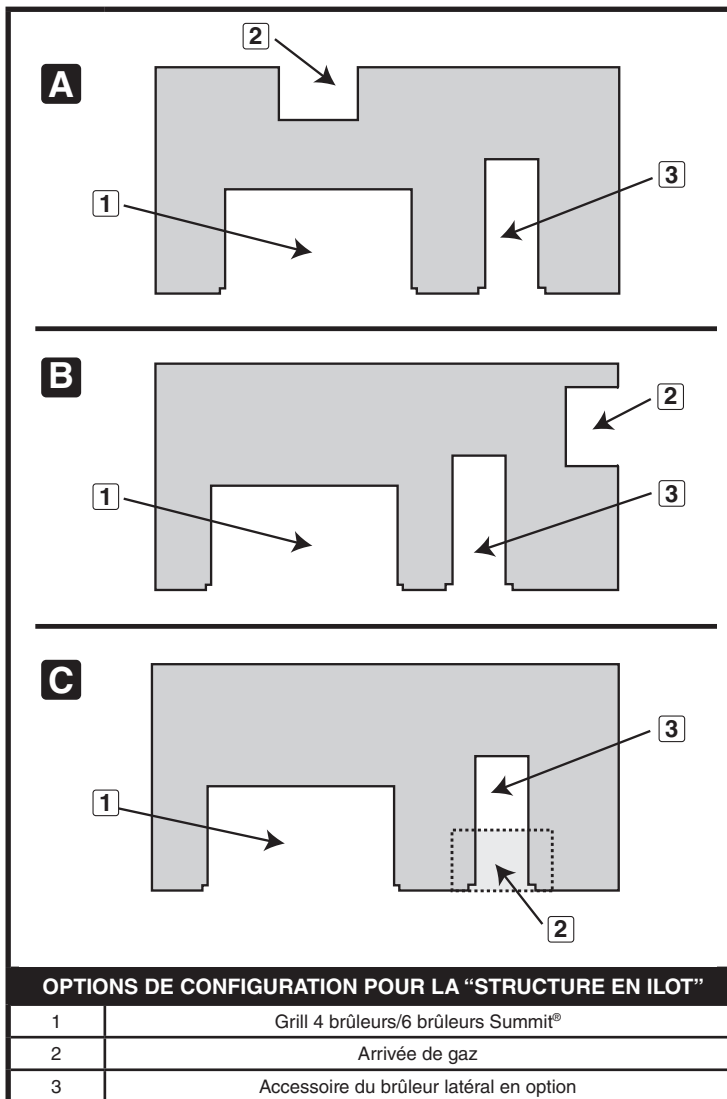
- Débranchez votre barbecue à gaz Weber® lorsque l'arrivée de gaz fait l'objet d'un test à haute pression. Cet appareil et sa valve de fermeture individuelle doivent être débranchés des canalisations d'arrivée de gaz pendant tout test sous pression à des pressions de test supérieures à 1/2 psig (3,5 kPa).
- Fermez votre barbecue à gaz Weber® pendant le test de l'arrivée de gaz à basses pressions. Cet appareil doit être isolé par rapport aux canalisations d'arrivée de gaz en fermant sa valve de fermeture manuel pendant tout test sous pression des canalisations de gaz lorsque la pression est égale ou inférieure à 1/2 psig (3,5 kPa).

OPTIONS DE CONFIGURATION POUR LA "STRUCTURE EN ILOT"

Il existe de nombreuses options pour la localisation des principaux composants de votre Structure en îlot. Vos principaux composants sont :

- 1) Le Grill intégré
- 2) Le boîtier de l'alimentation en gaz
- 3) L'accessoire brûleur latéral en option

Les 3 options communes (A, B, C) sont illustrées dans le tableau des "Options de configuration de la structure en îlot".



REMARQUE : RESTRICTION CONCERNANT LA CANALISATION DE GAZ

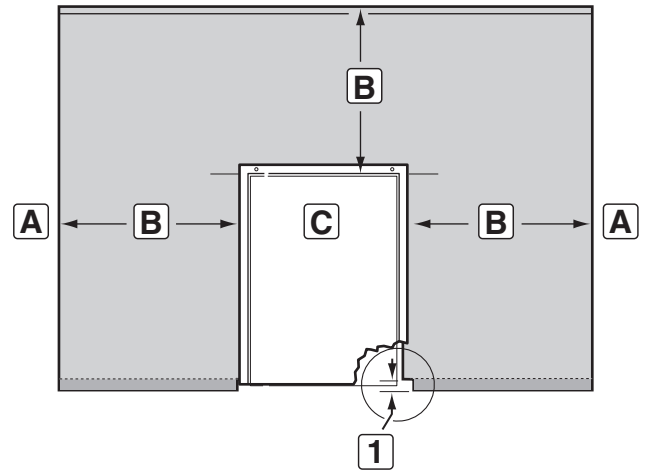
Le tuyau d'alimentation en gaz depuis le collecteur du grill jusqu'à l'arrivée de l'alimentation en gaz ne doit pas être d'un diamètre supérieur à 58" (147 cm). Le tuyau accessoire (non fourni) du Brûleur latéral de 3/8 (9,52 mm) ne doit pas être d'un diamètre supérieur à 58" (147 cm).

LOCALISATION DE VOTRE BRULEUR LATERAL INTEGRE

Lors de la détermination d'un emplacement adapté pour l'installation de votre Brûleur latéral intégré, soyez attentif à des questions comme l'exposition au vent, la proximité des sentiers de circulation, et la nécessité de maintenir les conduites d'alimentation en gaz aussi courtes que possible. Ne placez jamais le Brûleur latéral intégré Summit® dans un garage, un passage couvert, une cabane, sous un encorbellement ou dans tout autre lieu confiné. Situez le Brûleur latéral et la structure de sorte qu'il y ait suffisamment d'espace pour évacuer la zone en toute sécurité en cas d'incendie.

DISTANCE PAR RAPPORT AUX SURFACES OU STRUCTURES INFLAMMABLES

⚠ MISE EN GARDE : La distance entre les parois externes des côtés et de l'arrière du Brûleur latéral intégré doit être d'au minimum 24 pouces (61 cm) par rapport à toute surface inflammable. Consultez la section "Instructions pour l'Installation/Gaz" avant de commencer l'installation.



LOCALISATION DU BRULEUR LATERAL	
A	Toute surface
B	24" (61 cm) par rapport à toute surface
C	Brûleur latéral
1	Remarque : Pour un traitement du plan de travail : Suspension recommandée de 3/4" (19 mm). Faire une encoche sur l'extrémité avant pour que le cadre s'encastre complètement.

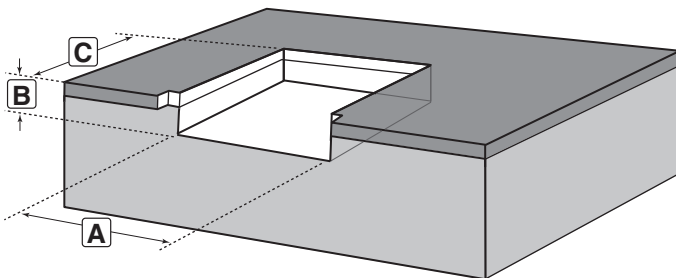
⚠ DANGER

La structure, les plans de travail en "îlots" et les plans de travail adjacents pour l'installation du Brûleur latéral intégré doivent être construits à partir de matériaux non inflammables uniquement. Une installation incorrecte peut provoquer un incendie, susceptible de provoquer une blessure grave voire un décès, et provoquer des dégâts matériels.

REMARQUE : Si vous avez des questions sur les matériaux qui sont considérés comme non inflammables, contactez le fournisseur de matériaux de construction le plus proche ou les pompiers.

DIMENSIONS POUR LE DECOUPAGE DE LA STRUCTURE INTEGREE

Toutes les dimensions sont celles des surfaces finies.



BRULEUR LATERAL		
	Dimensions pour le découpage	Tolérances
A	12 3/8" (31.4 cm)	+ 1/8" - 1/8" (3.18mm)
B	7 7/8" (20 cm)	-
C	27" (68.6 cm)	+ 1/8" - 1/8" (3.18mm)

⚠ MISE EN GARDE : La totalité des surfaces finies du plan de travail doit être fabriquée à partir d'un matériau non inflammable.

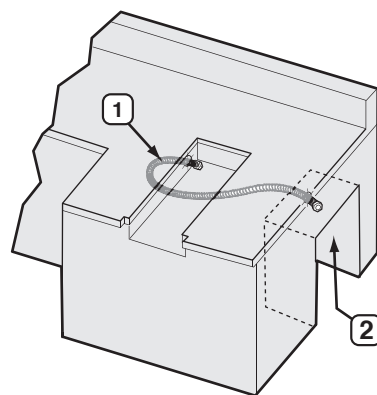
EMPLACEMENTS DE LA CONDUITE DE GAZ INTEGREE

GENERALITES SUR LA CONSTRUCTION

- Le brûleur latéral intégré Summit® devrait être sur place avant le début de la construction.
- Fournissez un accès pour une conduite de gaz ondulée en fonction de l'emplacement du brûleur latéral par rapport à votre arrivée de gaz principale et à la position du régulateur.
- La zone ne devrait contenir aucune surface aiguisée, dentelée ou extrêmement abrasive afin d'éviter toute détérioration des conduites d'alimentation en gaz. Veuillez faire preuve de prudence lorsque vous tirez les conduites de gaz à travers la structure intégrée.
- Une conduite de gaz (NON FOURNIE) ondulée en acier inoxydable de 3/8 pouce (9,52 mm) devrait être utilisée pour raccorder le brûleur latéral au couplage accessoire de la traversée.

⚠ **ATTENTION : La conduite de gaz ondulée en acier inoxydable de 3/8 pouce (9,52 mm) ne doit pas dépasser 58 pouces (147 cm) de long. Un tuyau plus long risquerait de provoquer une baisse de pression inappropriée.**

⚠ **MISE EN GARDE : N'utilisez pas de tuyau de gaz en caoutchouc.**



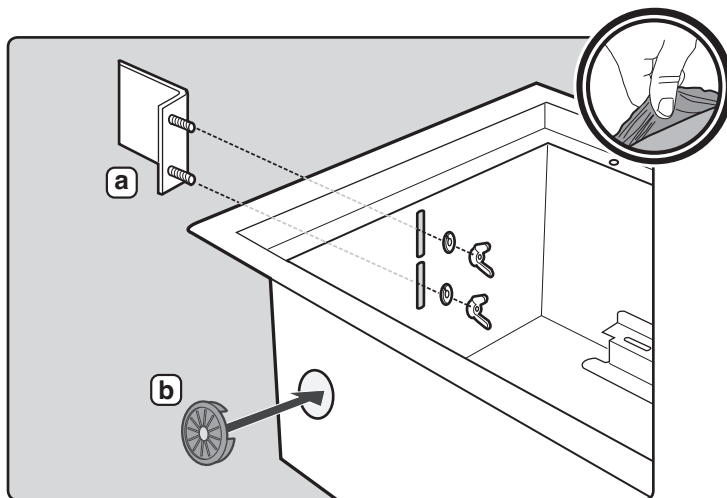
LOCALISATIONS DES CONDUITES DE GAZ

1	Conduite de gaz ondulée inoxydable SAE de 3/8" (9,52 cm)
2	Emplacement de meuble de bouteille de gaz typique

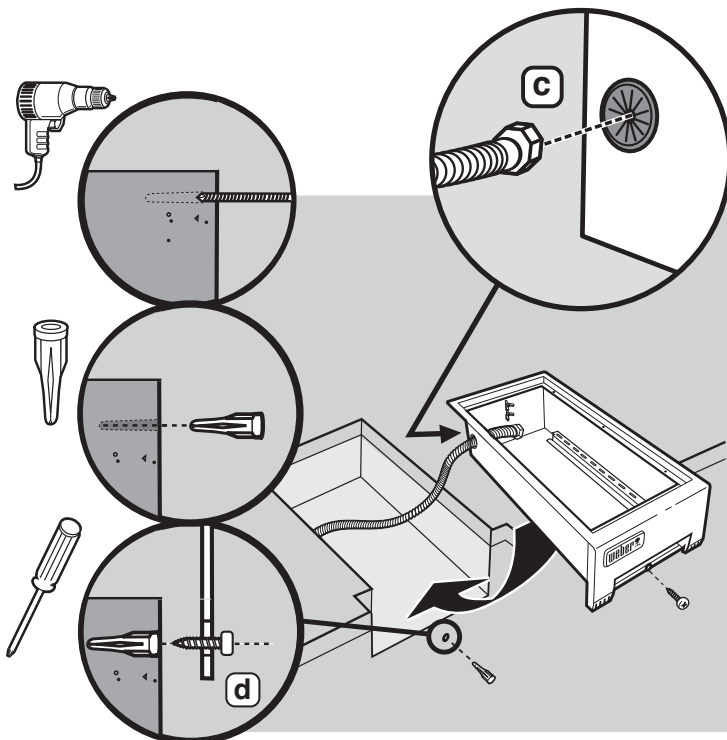
MONTAGE DU BRULEUR LATERAL

- 1) Fixez le support de montage(a) à l'arrière à l'extérieur du boîtier du Brûleur latéral. Fixez-le à l'aide des rondelles de verrouillage et des écrous à oreilles. Serrez à la main uniquement.
- 2) Insérez la douille (b) dans le trou à l'arrière/du côté gauche du boîtier du Brûleur latéral jusqu'à ce qu'un déclic indique qu'elle est en place.
- 3) Faites passer la conduite de gaz ondulée en acier inoxydable de 3/8 pouce (9,52 mm) par le trou du côté gauche du boîtier du Brûleur latéral (c). Faites passer l'extrémité d'alimentation du tuyau vers le boîtier d'alimentation en gaz (voir la section "RACCORDEMENT DE L'ARRIVEE DE GAZ").

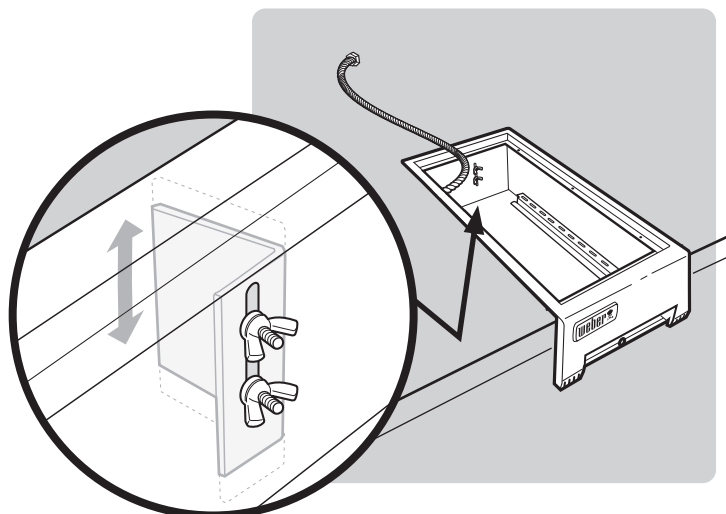
⚠ **ATTENTION : Avant d'installer le composant, retirez la pellicule protectrice de la partie en acier inoxydable.**



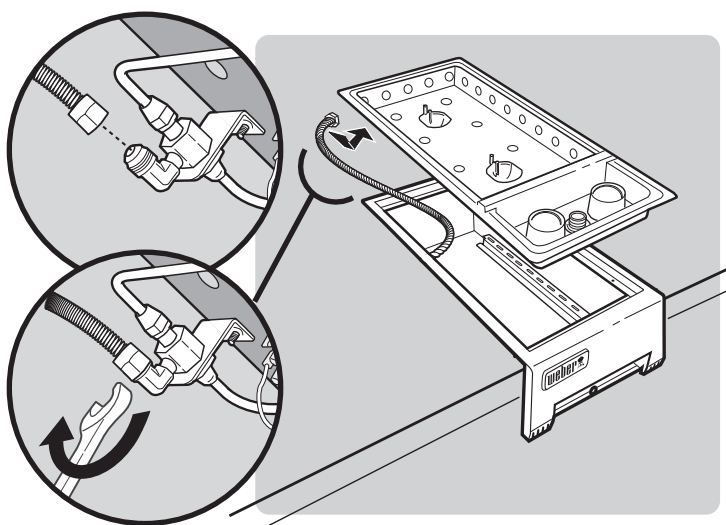
- 4) Abaissez le boîtier du Brûleur latéral dans la partie prédécoupée du Brûleur latéral.
- 5) Fixez le boîtier du brûleur latéral à l'aide d'une vis (d) non corrosive, enfoncée dans la surface finie de la "structure en îlot".



- 6) Fixez l'arrière du boîtier du Brûleur latéral au plan de travail en ajustant le support situé à l'arrière du boîtier du Brûleur latéral. Serrez les écrous à oreilles.

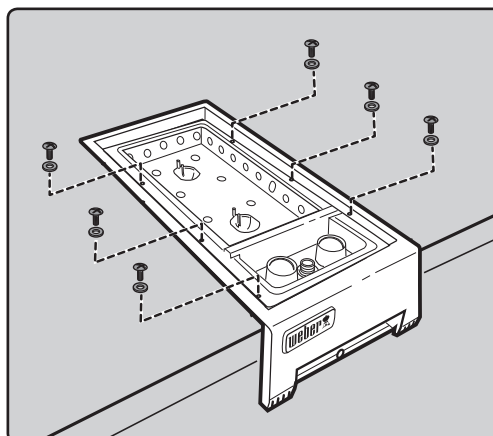


- 7) Raccordez la conduite de gaz en acier inoxydable de 3/8 pouce (9,52 mm) à la valve du Brûleur latéral située au-dessous du Brûleur latéral.

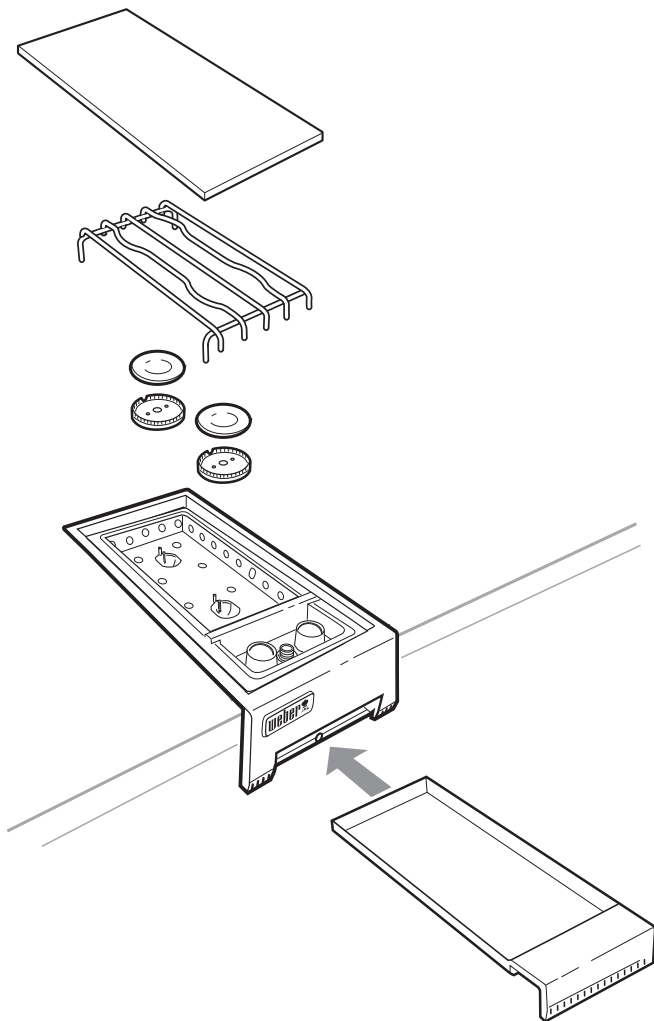


ATTENTION : Avant de continuer l'installation - vous devez raccorder la conduite de gaz du Brûleur latéral à l'arrivée de gaz principale, ensuite tester la totalité des raccords de gaz du Brûleur latéral afin de détecter les fuites. Voir la section "RACCORDEMENT DE L'ARRIVEE DE GAZ" et la section "DETECTION DES FUITES DE GAZ".

- 8) Abaissez le Brûleur latéral à l'intérieur du boîtier du Brûleur latéral. Utilisez les 6 vis fournies et les rondelles pour fixer le Brûleur latéral sur le boîtier du Brûleur latéral.



- 9) Installez les composants qui restent.



INSTALLATION D'ARRIVEE DE GAZ NATUREL TYPIQUE

Nous vous recommandons de confier cette installation à un professionnel QUALIFIE.

GENERALITES CONCERNANT LES CANALISATIONS

Remarque - Veuillez contacter votre municipalité pour vous informer sur les codes de construction qui régissent les installations de grills à gaz d'extérieur. En l'absence de Codes régionaux, votre installation doit être conforme à la dernière édition du Code national du gaz combustible ANSI Z223.1/NFPA54.

- Ce grill est conçu pour fonctionner à une pression de colonne d'eau de 4,5 pouces.
- Une valve de fermeture manuelle doit être installée à l'extérieur, et elle doit être accessible, et ne pas se trouver dans la structure "encastrée". Une valve de fermeture manuelle supplémentaire devrait être installée à l'intérieur sur la conduite d'arrivée de gaz secondaire à un emplacement accessible près de la conduite d'arrivée de gaz.

⚠ ATTENTION : si de jeunes enfants sont présents dans la zone, vous devriez réfléchir à l'installation d'une valve autobloquante.

- Le composé de canalisation utilisé devrait résister à l'action du gaz propane liquide lorsque les raccordements sont effectués.
- Les raccords de gaz doivent être fermement fixés à une structure rigide permanente.

Remarque : Les informations fournies dans ce manuel sont des généralités adaptées aux installations typiques. Nous ne pouvons pas aborder la totalité des idées d'installation possibles. Avant l'installation, nous vous recommandons de contacter votre municipalité pour vous informer sur les codes de construction régionaux et votre service incendie pour faire vérifier votre installation.

Pour toute question, veuillez contacter le Service clientèle au 1-800-446-1071.

CANALISATIONS DE GAZ

- Voir le schéma des canalisations au bas de la page précédente.
- La conduite de gaz ondulée en provenance du collecteur mesure 58 pouces (1.473,2 mm). N'allongez pas la conduite de gaz.
- Nous vous avons donné les moyens de faire un raccord évasé SAE de 45°. N'utilisez pas de joint pour canalisation sur ce raccord.
- Si la longueur de conduite nécessaire ne dépasse pas 50 pieds, utilisez un tube dont le diamètre externe est de 5/8". Vous devriez utiliser une taille de plus pour les longueurs supérieures à 50 pieds. Voir le tableau des canalisations.
- Les conduites de gaz peuvent être composées de tuyaux de cuivre, de type K ou L ; des tuyaux de plastique en polyéthylène, d'une épaisseur de paroi minimale de 0,062 pouce (1,57 mm) ; ou en acier de poids standard (plan 40) ou en fer forgé.
- Les tuyaux de cuivre doivent être couverts d'étain si le gaz contient plus de 0,3 grammes de sulfure d'hydrogène pour 100 pieds cubes de gaz.
- Les tuyaux de plastique conviennent uniquement pour une utilisation souterraine en extérieur.
- Les conduites de gaz en contact avec la terre ou toute autre matière susceptible de les corroder doivent être protégées contre la corrosion selon une méthode homologuée.
- Les canalisations souterraines doivent se trouver à une profondeur minimale de 18".

Table 10-1 Capacité maximale de la conduite en pieds cubes de gaz par heure pour des pressions de gaz de 0,5 psi ou moins et une chute de pression de 0,3 pouces sur la colonne d'eau. (Sur la base d'un gaz à gravité spécifique de 0,60)

Taille normale de la conduite en fer (Pouces)	Diamètre interne (Pouces)	Longueur de la conduite (Pieds)													
		10	20	30	40	50	60	70	80	90	100	125	150	175	200
1/4	0,364	32	22	18	15	14	12	11	11	10	9	8	8	7	6
3/8	0,493	72	49	40	34	30	27	25	23	22	21	18	17	15	14
1/2	0,622	132	92	73	63	56	50	46	43	40	38	34	31	28	26
3/4	0,824	278	190	152	130	115	105	96	90	84	79	72	64	59	55
1	1,049	520	350	285	245	215	195	180	170	160	150	130	120	110	100
1 1/4	1,380	1050	730	590	500	440	400	370	350	320	305	275	250	225	210
1/12	1,160	1600	1100	890	760	670	610	560	530	490	460	410	380	350	320
2	2,067	3050	2100	1650	1450	1270	1150	1050	990	930	870	780	710	650	610
2 1/2	2,469	4800	3300	2700	2300	2000	1850	1700	1600	1500	1400	1250	1130	1050	980
3	3,068	8500	5900	4700	4100	3600	3250	3000	2800	2600	2500	2200	2000	1850	1700
4	4,026	17500	12000	9700	8300	7400	6800	6200	5800	5400	5100	4500	4100	3800	3500

TEST DES RACCORDS

La totalité des raccords et des joints doit faire l'objet de tests méticuleux afin de détecter toute fuite éventuelle conformément aux codes régionaux et à la totalité des procédures figurant dans la dernière édition du Code national des gaz combustibles ANSI Z223.1/ NFPA 54, du Code des installations de gaz naturel et de propane liquide, CSA B149.1, ou du Code relatif au stockage et à la manipulation de propane, B149.2, ou à la Norme relative aux véhicules de loisir, ANSI A 119.2/NFPA 1192, et CSA Z240 Série RV, Code relatif aux véhicules de loisir, le cas échéant.

⚠ DANGER

N'utilisez pas de flamme nue pour détecter les fuites de gaz. Assurez-vous de l'absence de toute étincelle ou flamme nue dans la zone pendant que vous détectez les fuites de gaz. Ceci entraînerait un incendie ou une explosion susceptible de provoquer une blessure grave ou un décès ainsi que des dégâts matériels.

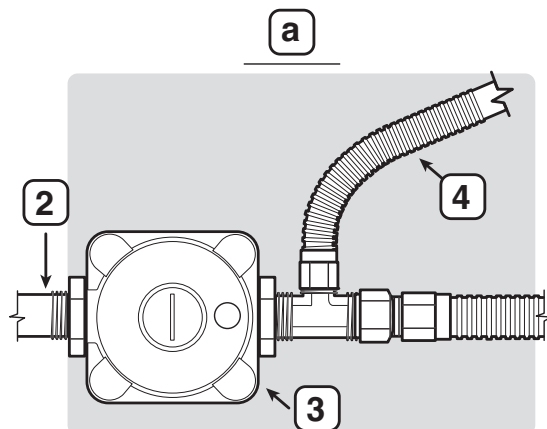
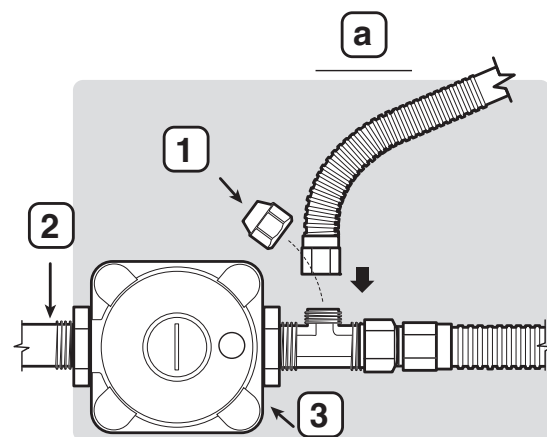
RACCORDEMENT DE L'ARRIVEE DE GAZ

RACCORDEMENT DE L'ARRIVEE DE GAZ

- 1) Retirez le cache du raccord évasé de la connexion du brûleur latéral en option située au niveau du régulateur.

Remarque : Vous devez raccorder votre brûleur latéral à un régulateur homologué par Weber® (pièce numéro 62434) situé au niveau de l'arrivée de gaz principale. Si vous n'utilisez pas un régulateur homologué par Weber®, cela annulera la Garantie du Brûleur latéral encastré Summit®. Pour toute question, veuillez contacter le Service clientèle au 1-800-446-1071.

- 2) Raccordez la conduite de gaz ondulée au Raccord du brûleur latéral.



RACCORDS D'ARRIVEE DE GAZ NATUREL DU BRULEUR LATERAL

1	Cache (Brûleur latéral en option)
2	Arrivée de gaz à canalisation rigide
3	Régulateur
4	Vers le brûleur latéral
a	Vue du haut

DETECTION DES FUITES DE GAZ

Après une période d'inutilisation, nous vous recommandons de réaliser les procédures de maintenance suivantes pour votre sécurité.

⚠ MISE EN GARDE : Vérifiez le tuyau avant chaque utilisation du grill afin de détecter toute entaille, fissure, abrasion ou coupure. Si le tuyau se révèle détérioré de quelque manière, n'utilisez pas le grill. Remplacez le tuyau par un tuyau de rechange agréé Summit® uniquement. Contactez le représentant du Service clientèle le plus proche à l'aide des coordonnées à votre disposition sur notre site Internet. Connectez-vous sur www.weber.com.

- Inspectez le brûleur afin de vérifier si l'aspect de la flamme est correct. Nettoyez si nécessaire, en suivant les procédures présentées dans la section "Maintenance générale" de ce manuel.
- Vérifiez la totalité des raccords de gaz afin de détecter les fuites.

TEST DES RACCORDS

La totalité des raccords et des joints doit faire l'objet de tests approfondis afin de détecter les fuites conformément aux codes régionaux et à la totalité des procédures énumérées dans la dernière édition du Code national sur les gaz combustibles ANSI Z223.1/NFPA 54, du Code sur les installations de gaz naturel et de gaz propane liquide, CSA B149.1, ou du code sur le stockage et la manipulation de propane, B149.2, ou de la Norme relative aux véhicules de loisirs, ANSI A 119.2/NFPA 1192, et CSA Z240 Série RV, Code relatif aux véhicules de loisirs, le cas échéant.

⚠ DANGER

N'utilisez pas de flamme nue pour détecter les fuites de gaz. Assurez-vous de l'absence d'étincelles ou de flammes nues dans la zone pendant que vous détectez les fuites. Des étincelles ou des flammes nues provoqueraient un incendie ou une explosion, susceptible d'entraîner une blessure grave voire un décès et des dégâts matériels.

⚠ MISE EN GARDE : Vous devriez détecter les fuites de gaz à chaque fois que vous débranchez et rebranchez un raccord de gaz.

Remarque - La totalité des raccords effectués en usine a fait l'objet d'une détection approfondie des fuites de gaz. Les brûleurs ont été testés à la flamme. Toutefois, par mesure de précaution, vous devriez vérifier à nouveau la totalité des raccords afin de détecter toute fuite avant d'utiliser vos appareils Weber®. L'expédition et la manipulation peuvent desserrer ou détériorer un raccord de gaz.

⚠ MISE EN GARDE : Effectuez ces procédures de détection des fuites même si votre appareil a été monté par un revendeur ou en boutique.

Il vous faudra : une solution d'eau savonneuse, et un chiffon ou une brosse pour l'appliquer.

Remarque - Dans la mesure où certaines solutions de détection des fuites, notamment l'eau savonneuse, peuvent être légèrement corrosives, la totalité des raccords devrait être rincée à l'eau une fois la détection des fuites terminée. Assurez-vous que le brûleur latéral est positionné sur OFF.

⚠ MISE EN GARDE : N'allumez pas les brûleurs lorsque vous détectez les fuites.

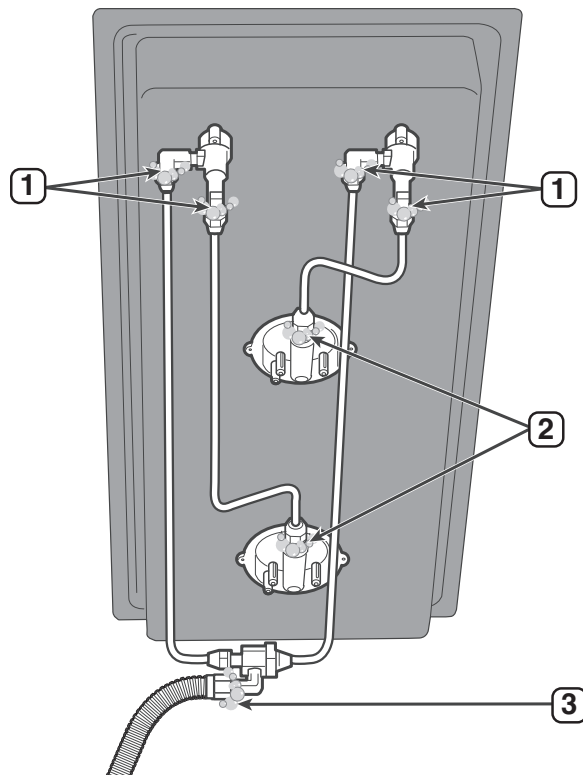
Détectez les fuites en humidifiant les raccords à l'aide de la solution d'eau savonneuse et en regardant si des bulles se forment. Si des bulles se forment ou si une bulle grossit, il y a une fuite.

VERIFIEZ LE COMPOSANT DU BRULEUR LATERAL

Vérifiez :

- 1) Les conduites entre le brûleur latéral et les raccords de la valve.
- 2) La conduite entre le brûleur latéral et l'orifice du brûleur latéral.
- 3) Le tuyau du brûleur latéral jusqu'à la tête du brûleur latéral.

⚠ MISE EN GARDE : En cas de fuite au niveau du raccord (1, 2 ou 3), resserrez le raccord à l'aide d'une clé et recommencez la détection des fuites à l'aide d'une solution d'eau savonneuse. Si une fuite persiste une fois que vous avez resserré le raccord fermez le gaz. N'UTILISEZ PAS LE GRILL OU LE BRULEUR LATERAL. Contactez le représentant du Service clientèle de votre région à l'aide des coordonnées à votre disposition sur notre site Internet. Connectez-vous sur www.weber.com.



VERIFIEZ LES RACCORDS DE L'ARRIVEE DE GAZ

⚠ MISE EN GARDE : Vous devriez détecter les fuites de gaz à chaque fois que vous débranchez et rebranchez un raccord de gaz.

Remarque - La totalité des raccords effectués en usine a fait l'objet d'une détection approfondie des fuites de gaz. Les brûleurs ont été testés à la flamme. A toute fois, par mesure de précaution, vous devriez vérifier à nouveau la totalité des raccords afin de détecter toute fuite avant d'utiliser vos appareils Weber®. L'expédition et la manipulation peuvent desserrer ou détériorer un raccord de gaz.

Il vous faudra : une solution d'eau savonneuse, et un chiffon ou une brosse pour l'appliquer.

Ouvrez l'arrivée de gaz.

Détectez les fuites en humidifiant les raccords à l'aide de la solution d'eau savonneuse et en regardant si des bulles se forment. Si des bulles se forment ou si une bulle grossit, il y a une fuite.

Remarque - Dans la mesure où certaines solutions de détection des fuites, notamment l'eau savonneuse, peuvent être légèrement corrosives, la totalité des raccords devrait être rincée à l'eau une fois la détection des fuites terminée.

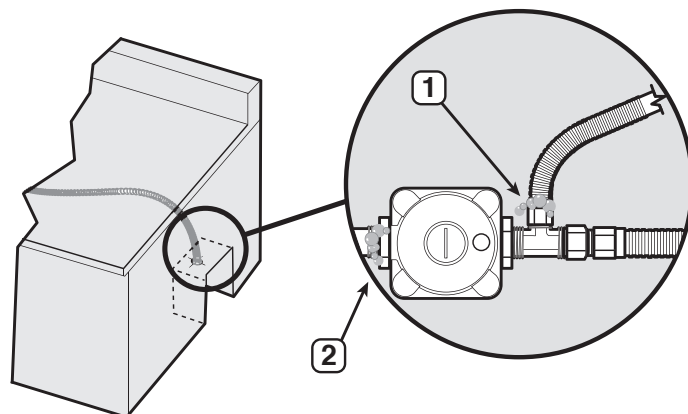
⚠ MISE EN GARDE : N'allumez pas les brûleurs lorsque vous détectez les fuites.

Vérifiez :

- 1) Le raccord entre la conduite de gaz ondulée et l'accessoire "T"
- 2) Entre l'arrivée de gaz principale et le régulateur.

⚠ MISE EN GARDE : En cas de fuite au niveau du raccord (1 ou 2), resserrez le raccord à l'aide d'une clé et recommencez la détection des fuites à l'aide d'une solution d'eau savonneuse. Si une fuite persiste une fois que vous avez resserré le raccord fermez le gaz. **N'UTILISEZ PAS LE GRILL.** Contactez le représentant du Service clientèle le plus proche à l'aide de la fiche de contact fournie avec votre manuel.

Une fois que la détection des fuites est terminée, fermez l'arrivée de gaz à la source et rincez les raccords à l'eau.



MODE D'EMPLOI

INSTRUCTIONS POUR L'ALLUMAGE DU BRULEUR LATERAL

Vous trouverez des instructions brèves pour l'allumage à l'intérieur de la porte gauche du meuble.

⚠ DANGER

Si vous n'ouvrez pas le couvercle pendant l'allumage du brûleur latéral, ou si vous ne patientez pas 5 minutes pour permettre au gaz de se dissiper si le brûleur latéral ne s'allume pas, cela risque de provoquer un embrasement explosif susceptible d'entraîner une blessure grave voire un décès.

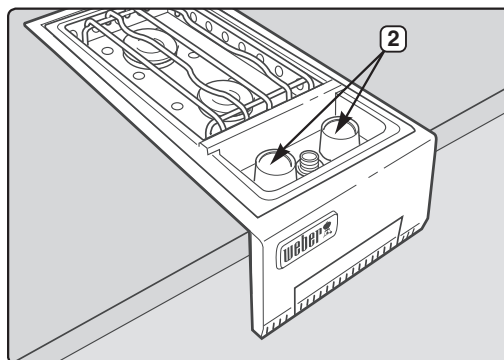
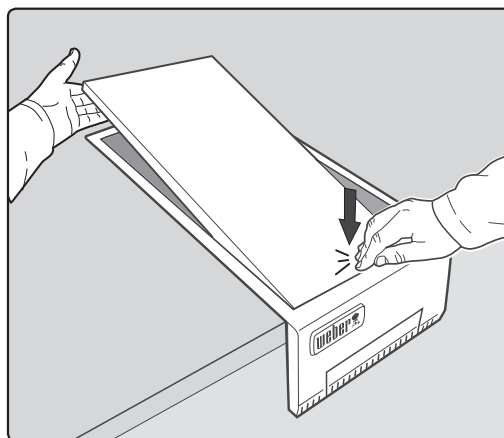
- 1) Retirez le couvercle du Brûleur latéral en appuyant légèrement sur une extrémité tout en soulevant de l'autre côté. Rangez le couvercle du Brûleur latéral dans le meuble de votre grill.

⚠ ATTENTION : N'utilisez pas le couvercle comme une surface de cuisson ou comme une surface de découpage.

- 2) Vérifiez que les valves du brûleur latéral sont positionnées sur OFF. (Enfoncez les boutons et tournez dans le sens des aiguilles d'une montre pour vous assurer qu'ils sont positionnés sur OFF.)

⚠ MISE EN GARDE : Les boutons de commande du brûleur doivent être positionnés sur OFF avant d'ouvrir le gaz à la source.

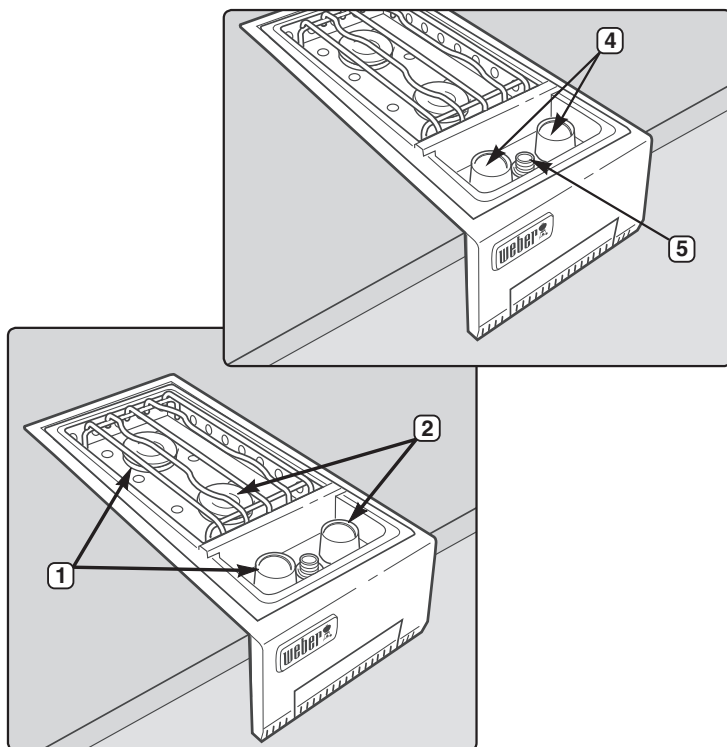
- 3) Ouvrez la valve d'arrivée de gaz.



- 4) Enfoncez et tournez le bouton de commande du brûleur latéral (① - *arrière*) ou le bouton de commande (② - *avant*) sur START/HI.
- ⚠ **ATTENTION : N'ouvrez pas le gaz sur les deux brûleurs en même temps.**
- 5) Enfoncez le bouton de l'allumeur et maintenez-le enfoncé jusqu'à ce que le brûleur s'allume. Vous entendrez l'étincelle au niveau de l'allumeur.
- ⚠ **ATTENTION : La flamme du brûleur latéral peut être difficile à voir par une journée ensoleillée.**
- ⚠ **MISE EN GARDE : Si le brûleur latéral ne s'allume pas :**
- 1) Positionnez la valve de commande du brûleur latéral sur OFF.
 - 2) Patientez 5 minutes pour laisser le gaz se dissiper avant d'essayer à nouveau ou d'essayer d'allumer avec une allumette.

POUR ETEINDRE

Enfoncez et tournez chacun des boutons de commande du brûleur dans le sens des aiguilles d'une montre vers la position OFF. Positionnez l'arrivée de gaz sur OFF à la source.

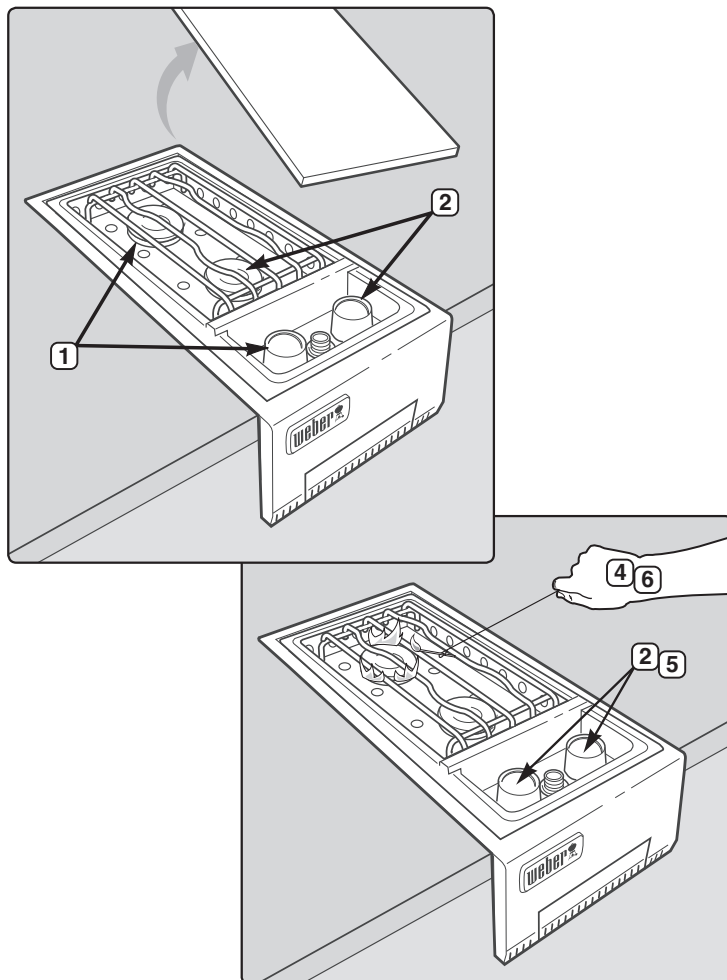


ALLUMAGE MANUEL DU BRULEUR LATERAL

⚠ DANGER

Si vous n'ouvrez pas le couvercle pendant l'allumage du brûleur latéral, ou si vous ne patientez pas pendant 5 minutes pour laisser le gaz se dissiper si le brûleur latéral ne s'allume pas, peut provoquer un embrasement explosif susceptible de provoquer une blessure grave voire un décès.

- 1) Retirez le couvercle du Brûleur latéral en appuyant légèrement de chaque côté.
 - 2) Vérifiez que les valves du brûleur latéral sont positionnées sur OFF. (Enfoncez les boutons puis tournez-les dans le sens des aiguilles d'une montre pour vous assurer qu'ils sont sur la position OFF.)
 - 3) Ouvrez la valve d'arrivée de gaz.
 - 4) Placez une allumette dans un porte-allumette et frottez-la.
 - 5) Enfoncez et tournez le bouton de commande du brûleur latéral (① - *arrière*) ou le bouton de commande (② - *avant*) sur START/HI.
 - 6) Tenez le porte-allumette et allumez l'allumette du côté droit du brûleur latéral.
- ⚠ **ATTENTION : La flamme du brûleur latéral peut être difficile à voir par une journée ensoleillée.**
- ⚠ **MISE EN GARDE : Si le brûleur latéral ne s'allume pas :**
- 1) Positionnez la valve de commande du brûleur latéral sur OFF.
 - 2) Patientez 5 minutes pour laisser le gaz se dissiper avant d'essayer à nouveau ou d'essayer d'allumer avec une allumette.



PROBLEME	VERIFICATION	SOLUTION
Le brûleur latéral ne s'allume pas.	L'arrivée de gaz est-elle fermée ?	Ouvrez l'arrivée de gaz.
La flamme est petite en position "HI"?	Le tuyau d'alimentation en combustible est-il plié ou pincé ?	Redressez le tuyau.
L'allumage par bouton poussoir ne fonctionne pas.	Le brûleur s'allume-t-il avec une allumette ?	Si le brûleur s'allume avec une allumette, vérifiez l'allumeur (voir ci-dessous).

Si vous ne parvenez pas à résoudre les problèmes en utilisant ces méthodes, veuillez entrer en contact avec le Représentant du Service clientèle le plus proche grâce aux coordonnées à votre disposition sur notre site Internet. Connectez-vous sur www.weber.com.

ALLUMEUR

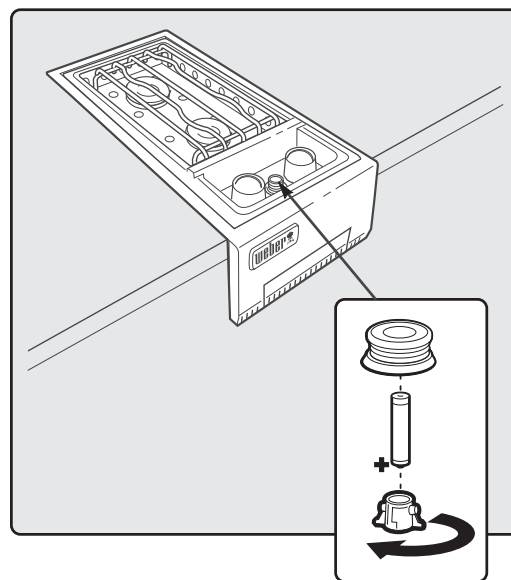
Si le système d'allumage ne parvient pas à allumer le brûleur latéral, allumez le brûleur à l'aide d'une allumette.

- Vérifiez que les deux câbles d'allumage sont correctement fixés.
- Vous devriez entendre l'étincelle de l'allumeur.

REMPLEZ LA PILE SI NECESSAIRE

Pile alcaline AAA uniquement. Voir l'illustration :

Si le système d'allumage électronique ne parvient pas à réaliser l'allumage, veuillez contacter le représentant du Service clientèle de votre région à l'aide des coordonnées à votre disposition sur notre site Internet. Connectez-vous sur www.weber.com.



MAINTENANCE GENERALE

MAINTENANCE DU BRULEUR LATERAL

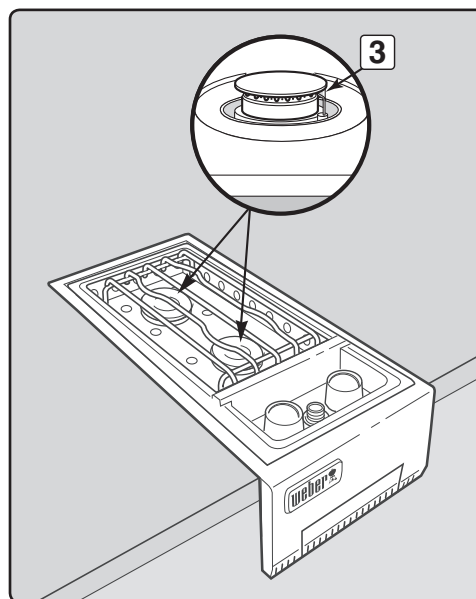
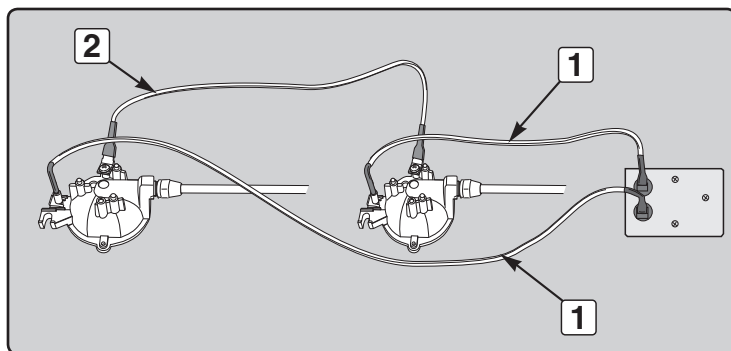
⚠ MISE EN GARDE : La totalité des commandes du gaz et des valves d'arrivée de gaz devrait être positionnée sur "OFF"!

Assurez-vous que les câbles d'allumage (1) sont connectés entre l'allumeur et les électrodes.

Assurez-vous que le câble de raccordement à la terre (2) est connecté entre l'allumeur et

les pinces de raccordement à la terre sur les coupelles du brûleur. L'étincelle devrait être de couleur blanche/bleue, pas jaune.

- 1) Câbles de l'allumeur
- 2) Câble de raccordement à la terre
- 3) Brûleur



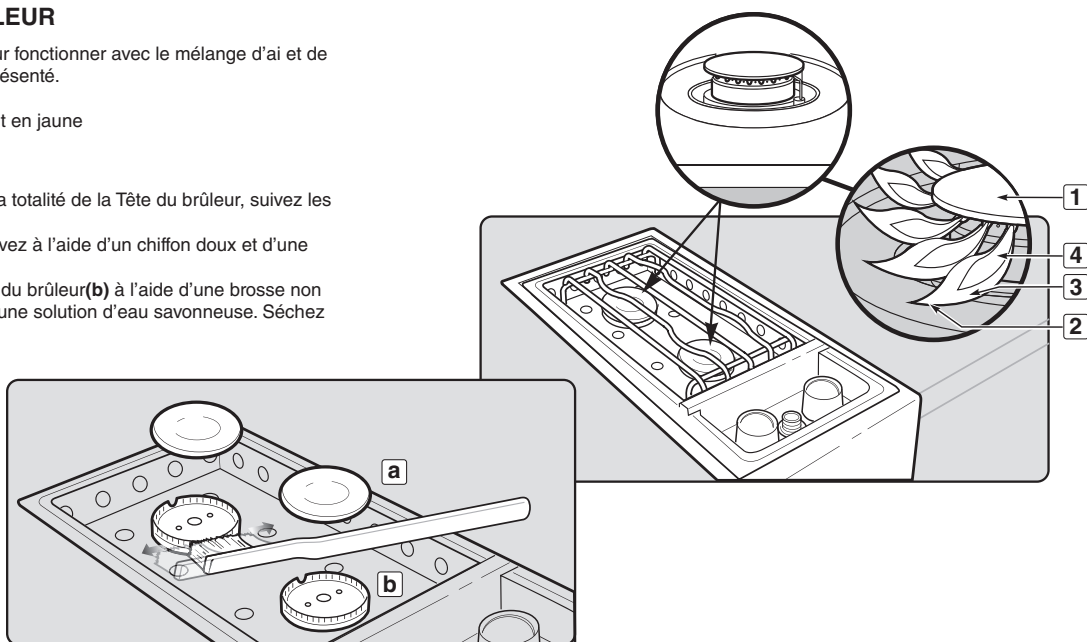
ASPECT DE LA FLAMME DU BRULEUR

Le brûleur latéral à gaz Weber® est fabriqué pour fonctionner avec le mélange d'air et de gaz adapté. L'aspect correct de la flamme est présenté.

- 1) Cache du brûleur
- 2) Les extrémités vacillent occasionnellement en jaune
- 3) Bleu clair
- 4) Bleu foncé

Si les flammes ne semblent pas uniformes sur la totalité de la Tête du brûleur, suivez les procédures de nettoyage du brûleur.

- Retirez le Cache du brûleur latéral(a) et lavez à l'aide d'un chiffon doux et d'une solution d'eau savonneuse.
- Brossez pour retirer les résidus de la Tête du brûleur(b) à l'aide d'une brosse non métallique. Lavez avec un chiffon doux et une solution d'eau savonneuse. Séchez méticuleusement la Tête du brûleur.



NETTOYAGE

⚠ MISE EN GARDE : Eteignez votre Brûleur latéral à gaz Weber® et attendez qu'il refroidisse avant de le nettoyer.

Surfaces internes - Utilisez une solution d'eau savonneuse chaude pour le nettoyage, puis rincez à l'eau.

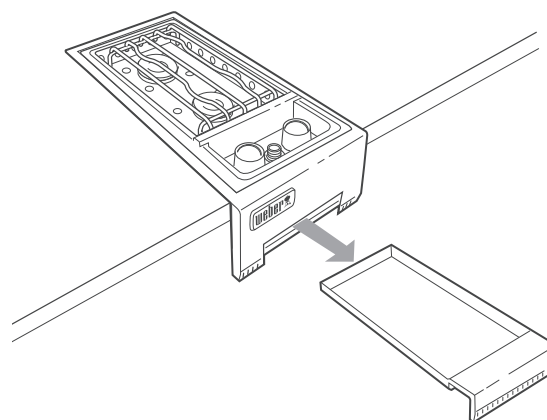
⚠ ATTENTION : N'utilisez pas de nettoyant pour four, de détergents abrasifs (de détergents pour la cuisine), de détergents contenant des produits à base d'agrumes, ou de tampons à récurer abrasifs sur l'appareil.

Plateau égouttoir - Tirez sur le plateau égouttoir afin de le sortir du Boîtier du brûleur latéral. Retirez l'excès de graisse et l'humidité, lavez à l'eau savonneuse chaude puis rincez.

Surfaces en acier inoxydable - Lavez à l'aide d'un chiffon doux et d'une solution à base d'eau savonneuse. Veillez à frotter dans le sens du grain de l'acier inoxydable. N'utilisez pas de détergents contenant de l'acide, des alcools minéraux ou du xylène. Rincez bien après le nettoyage.

Préservez votre acier inoxydable - Votre Brûleur latéral, votre couvercle et votre plateau égouttoir sont fabriqués à partir d'acier inoxydable. Il est très simple de préserver l'aspect optimal de l'acier inoxydable. Nettoyez-les avec de l'eau et du savon, rincez à l'eau claire puis essuyez pour sécher. Pour les particules tenaces, une brosse non métallique peut être utilisée.

⚠ IMPORTANT : N'utilisez pas de brosse métallique ou de détergents abrasifs sur les surfaces en acier inoxydable de votre Brûleur latéral car cela provoquerait des rayures.



⚠ IMPORTANT : Lorsque vous nettoyez les surfaces, assurez-vous de frotter/essuyer dans le sens du grain afin de préserver l'aspect de votre acier inoxydable.

⚠ ATTENTION: This product has been safety tested and is only certified for use in a specific country. Refer to country designation located on outer carton.

These parts may be gas carrying or gas burning components. Please contact Weber-Stephen Products Co., Customer Service Department for genuine Weber-Stephen Products Co. replacement part(s) information.

⚠ WARNING: Do not attempt to make any repair to gas carrying, gas burning, igniter components or structural components without contacting Weber-Stephen Products Co., Customer Service Department. Your actions, if you fail to follow this Product Warning, may cause a fire, an explosion, or structural failure resulting in serious personal injury or death as well as damage to property.

⚠ ATENCIÓN: A este producto se le han realizado pruebas de seguridad y ha sido certificado para usarse en un país específico. Refiérase al país indicado en la parte externa del cartón de empaque.

Estas partes pueden ser componentes que transporten gas o lo quemen. Por favor póngase en contacto con el Departamento de Atención al Cliente de Weber-Stephen Products Co. para obtener información sobre las partes de repuesto Weber-Stephen Products Co. genuinas.

⚠ ADVERTENCIA: No trate de realizar reparación alguna a los componentes que transporten o quemen gas sin antes ponerse en contacto con el Departamento de Atención al Cliente de Weber-Stephen Products Co. Si no llegase a acatar esta advertencia, sus acciones podrían causar un fuego o una explosión que resulte en lesiones personales serias o la muerte o daños a la propiedad.

⚠ ATTENTION: Ce produit a fait l'objet de tests de sécurité et est certifié pour une utilisation dans un pays particulier uniquement. Vérifiez la désignation de pays située sur le carton d'emballage.

Ces pièces peuvent contenir du gaz ou être des éléments dont la combustion produit du gaz. Veuillez consulter le Service clientèle de Weber-Stephen Products Co. pour des renseignements sur les pièces de rechange originales de Weber-Stephen Products Co.

⚠ MISE EN GARDE: Ne tentez pas d'effectuer des réparations sur des éléments contenant du gaz ou sur des éléments dont la combustion produit du gaz sans contacter le service clientèle de Weber-Stephen Products Co.. Si vous ne suivez pas la présente Mise en garde relative au produit, vos actions risquent de provoquer un incendie ou une explosion entraînant des blessures physiques graves voire un décès ainsi que des dégâts matériels.



WEBER-STEPHEN PRODUCTS CO.
www.weber.com®

©2009 The following trademarks are registered in the name of Weber-Stephen Products Co., an Illinois corporation, located at 200 East Daniels Road, Palatine, Illinois 60067 U.S.A. Australia; Smokey Joe, Weber, Kettle Silhouette®, Genesis, Austria; Kettle Silhouette®, Smokey Joe, Weber, Benelux; Kettle Silhouette®, Smokey Joe, Weber, Compact Grill Configuration, Botswana; Weber, Canada; Smokey Joe, Genesis, China; Kettle Silhouette®, Denmark; Kettle Silhouette®, Smokey Joe, Weber, Finland; Smokey Joe, France; Kettle Silhouette®, Smokey Joe, Weber, One-Touch, Germany; Smokey Joe, Weber, One-Touch, Greece; Smokey Joe, Ireland; Kettle Silhouette®, Smokey Joe, Italy; Smokey Joe, Weber, Japan; Smokey Joe, Weber, Korea; Smokey Joe, Weber, New Zealand; Weber, Smokey Joe, Nigeria; Weber, Norway; Smokey Joe, Weber, Portugal; Weber, South Africa; Smokey Joe, Weber, Kettle Configuration, Spain; Smokey Joe, Weber, Sweden; Kettle Silhouette®, Smokey Joe, Switzerland; Kettle Silhouette®, Smokey Joe, Weber, United Kingdom; Smokey Joe, Weber, Weber One-Touch, U.S.A.; Kettle Configuration, Kettle Silhouette®, Smokey Joe, Weber, One-Touch, Firespice, Go-Anywhere, U.S.A.; Kettle Configuration, Kettle Silhouette, Genesis, Flavorizer, Crossover, Flamgo, Performer, Rapidfire, Tuck 'N Carry, Jumbo Joe, Bar-B-Kettle, Master-Touch, Spirit, Grill Out, Summit, Platinum, 1-800-Grill-Out, Ranch, Matchless Flame, Zimbabwe; Weber, Kettle Configuration, Kettle Silhouette®.